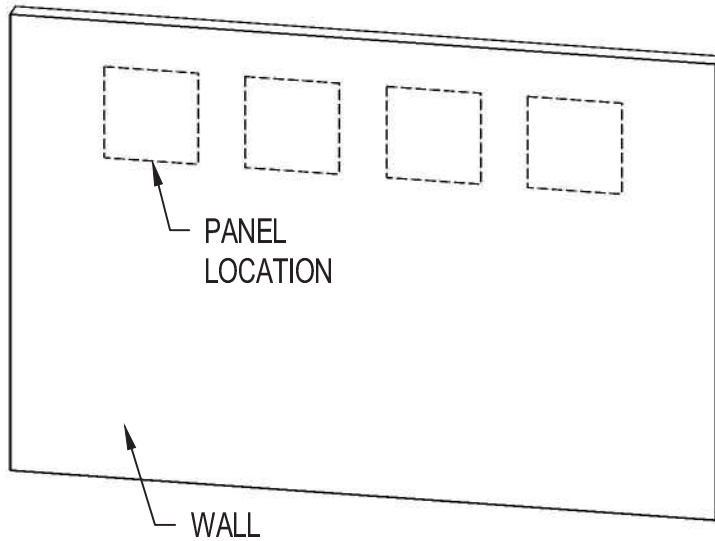
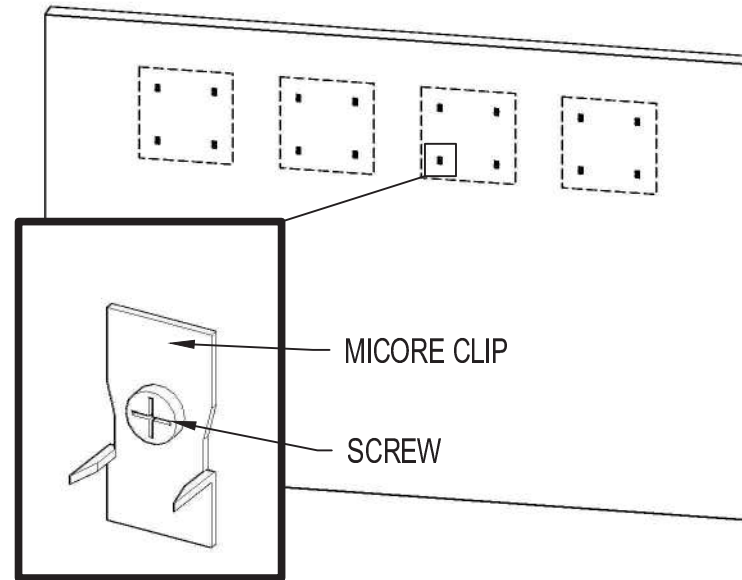


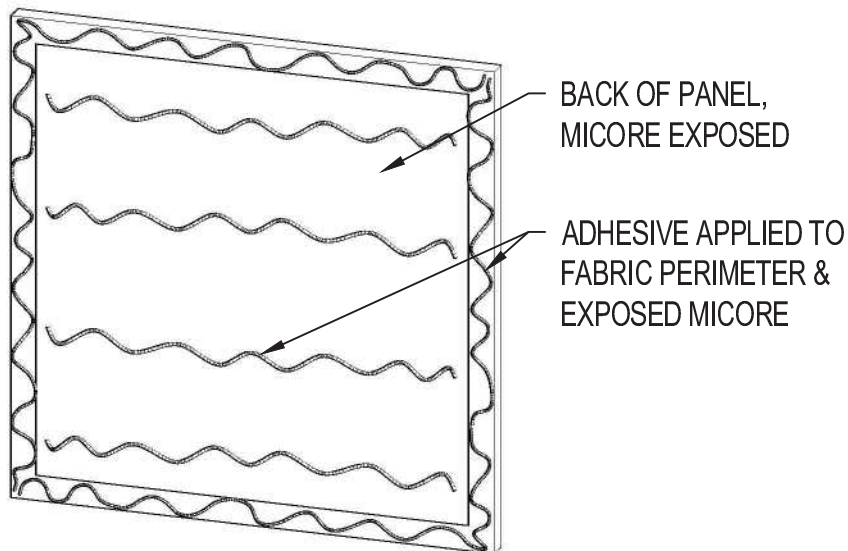
1. LAY OUT THE PANEL LOCATON ON THE WALL



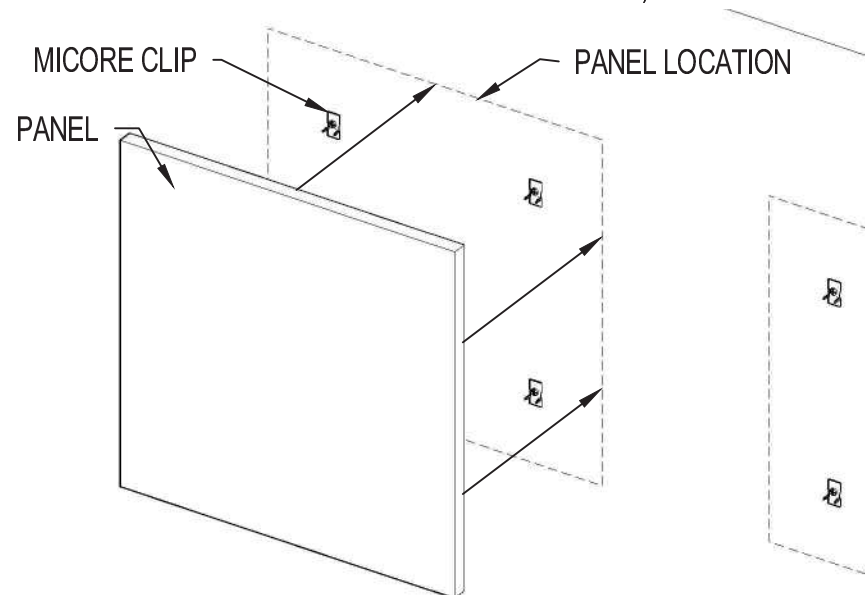
2. SECURE MICORE NAIL CLIPS TO WALL USING APPROPRIATE FASTENERS. CLIPS SHOULD BE LOCATED TO ENSURE THERE IS NO CONTACT BETWEEN CLIPS & FABRIC.



3. APPLY A GENEROUS AMOUNT OF CONSTRUCTION ADHESIVE (BY OTHERS) TO FABRIC PERIMETER ON PANEL BACK.



4. ENSURE PANEL IS LOCATED PROPERLY, PRESS PANEL FIRMLY TO WALL. (MAKE SURE THE MICORE CORE IS BEING IMPALED BY THE NAIL CLIPS, NOT THE FABRIC.)



SOUND SEAL®
50 H.P. ALMGREN DRIVE AGAWAM, MA 01001
WWW.SOUNDSEAL.COM (413) 789-1770



**MICORE NAIL CLIP
MOUNTING DETAIL**