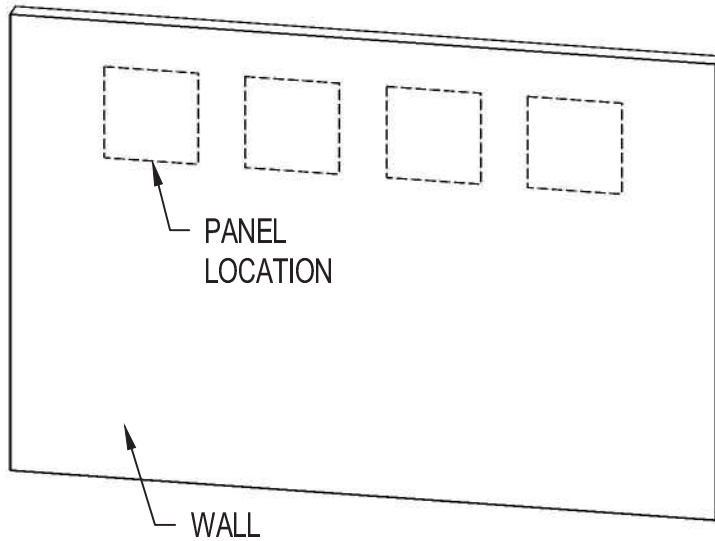
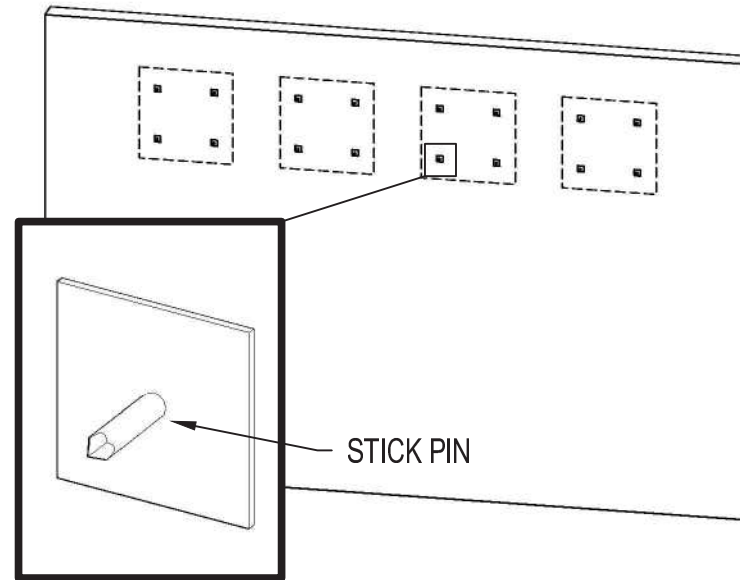


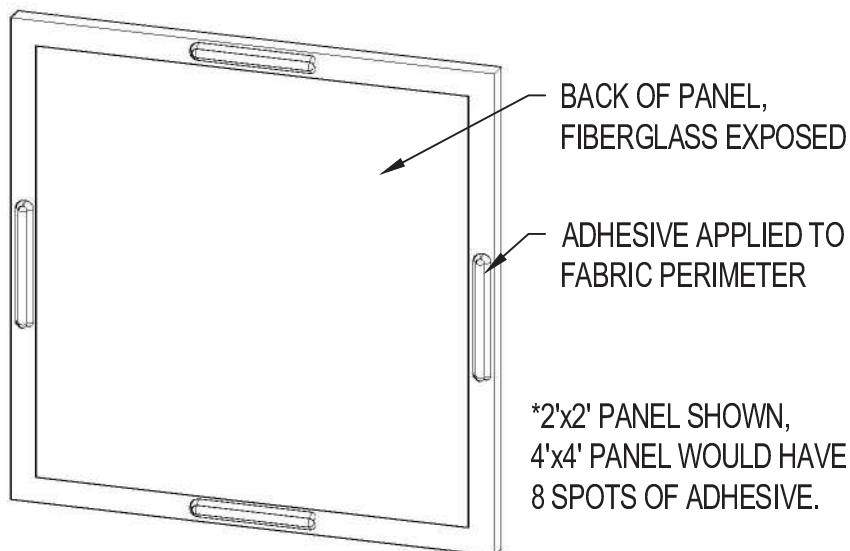
1. LAY OUT THE PANEL LOCATON ON THE WALL



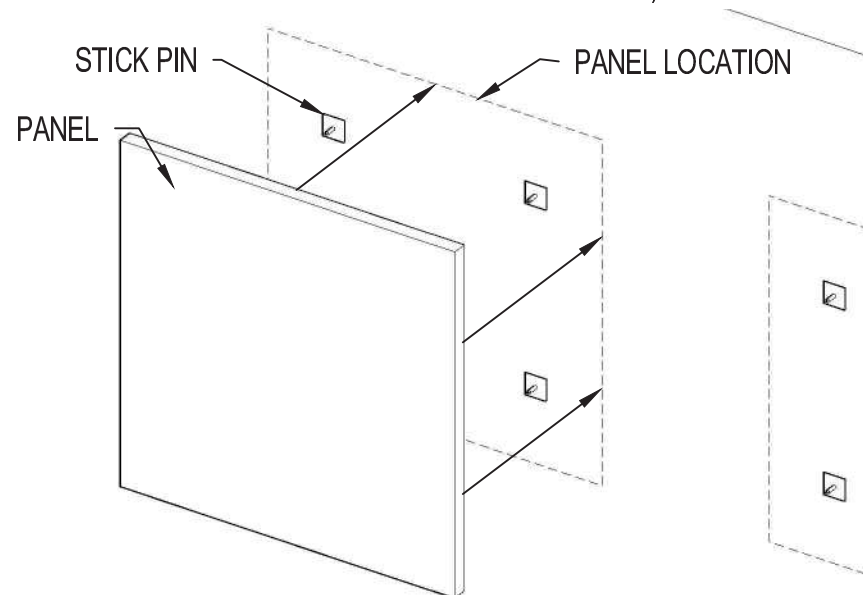
2. MAKE SURE WALL IS CLEAN. SECURE STICK PINS TO WALL BY PEELING PROTECTIVE PAPER FROM ADHESIVE BACK. PRESS FIRMLY AGAINST WALL.



3. APPLY CONSTRUCTION ADHESIVE (BY OTHERS) TO FABRIC PERIMETER ON PANEL BACK. ADHESIVE BEAD SHOULD BE 3/4" x 3/4" x 6" LONG, NO MORE THAN 18" APART.



4. ENSURE PANEL IS LOCATED PROPERLY, PRESS PANEL FIRMLY TO WALL. (MAKE SURE THE FIBERGLASS CORE IS BEING IMPALED BY THE PINS, NOT THE FABRIC.)



**SOUND SEAL®**  
50 H.P. ALMGREN DRIVE AGAWAM, MA 01001  
WWW.SOUNDSEAL.COM (413) 789-1770

**STICK PIN  
MOUNTING DETAIL**