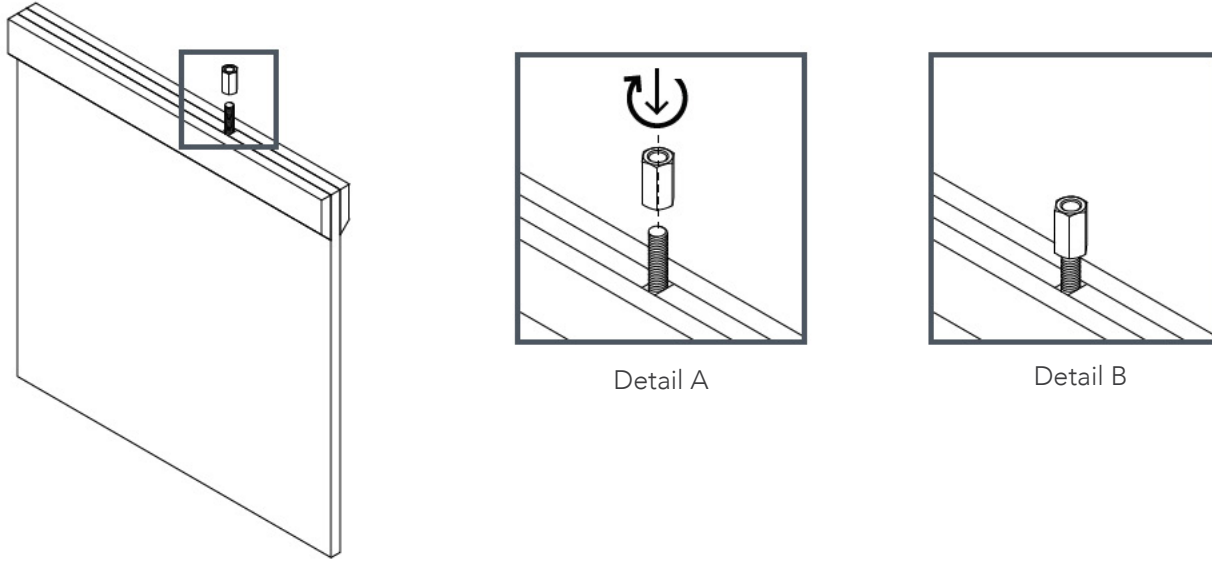
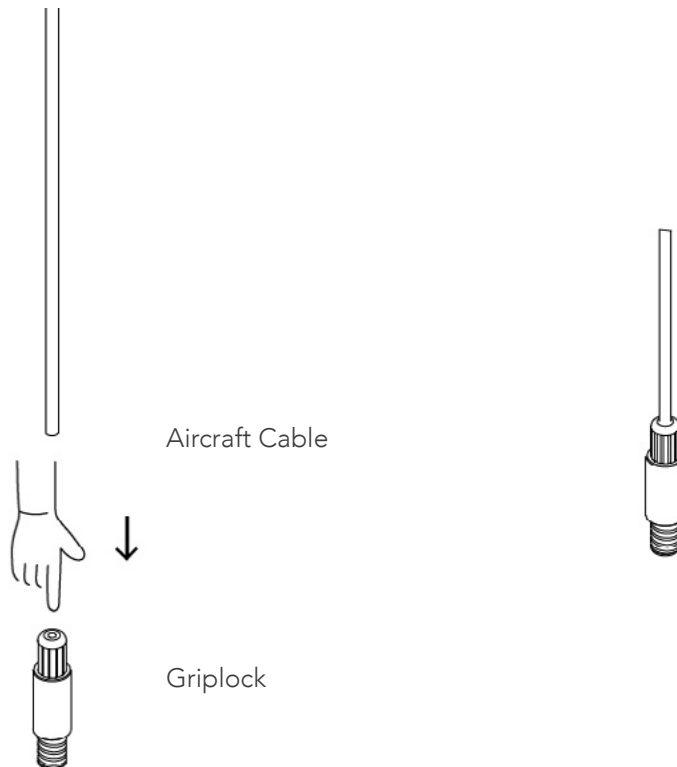


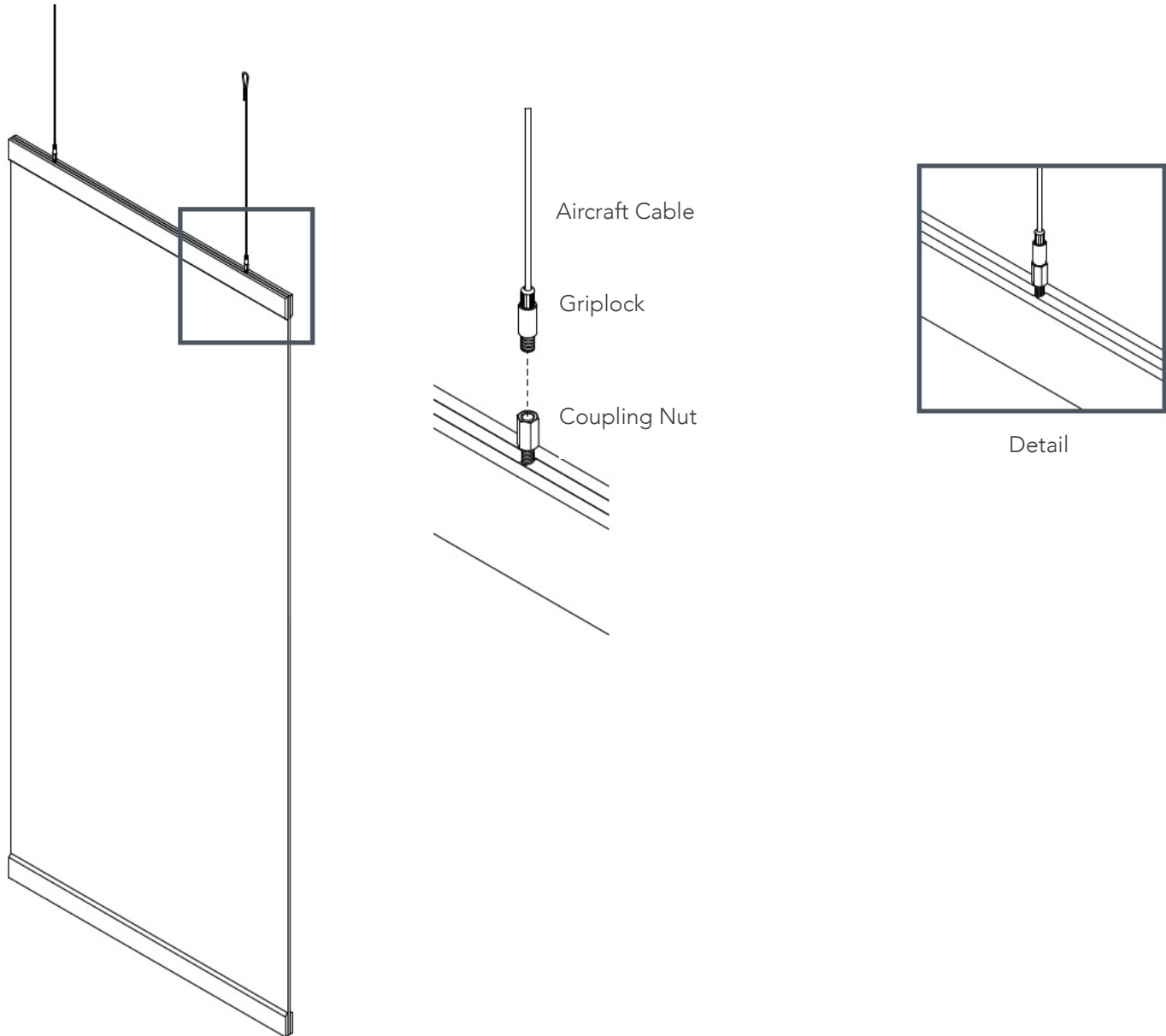
1. Attach the coupling nut with the existing t-nut of the sliding panel.



2. Insert the aircraft cable into griplock.



3. Screw the griplock to the coupling nut of the sliding panel.



4. Insert the other end of the aircraft cable through the guided clutch button on the urban trapizode until several inches of cable emerge. To complete the loop, continue threading the cable, pass through the sign connector and the unused clutch button. The built tin clutch automatically secures the cable.

