

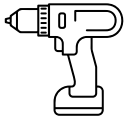


POLY-COUSTIX™
BY SOUND SEAL

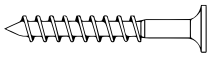
PET I POLYESTER ACOUSTICAL PRODUCTS TETRIX AIR™ Installation Overview

These installation suggestions consist of a common process for tile installation. Installers should rely upon their own professional experience and understanding of their unique requirements to ensure a successful install.

Tools Needed

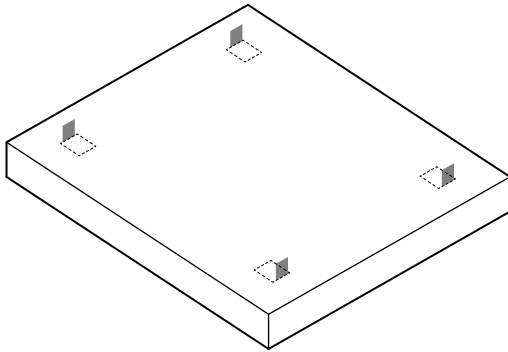


Drill



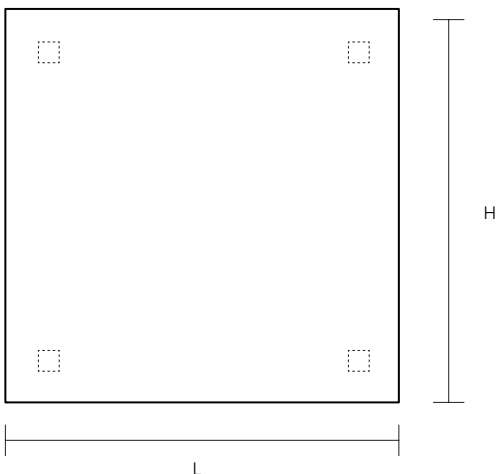
Screw

Items Included



Tile

1. Unwrap tile from plastic wrap. Confirm tile dimensions match your needs.

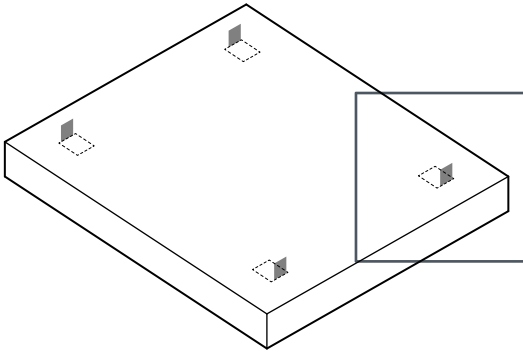




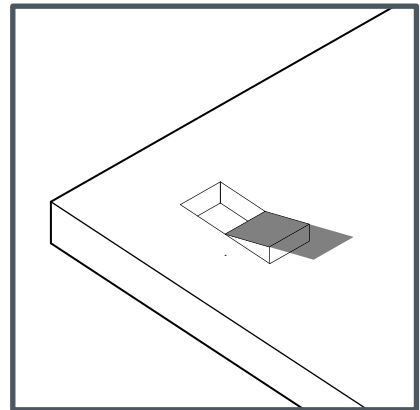
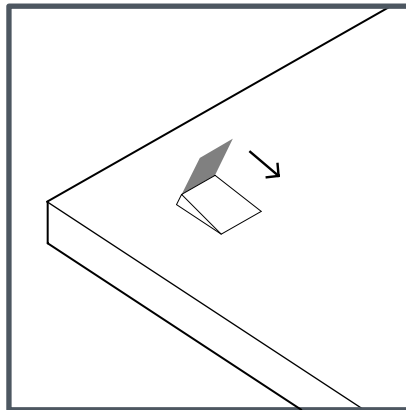
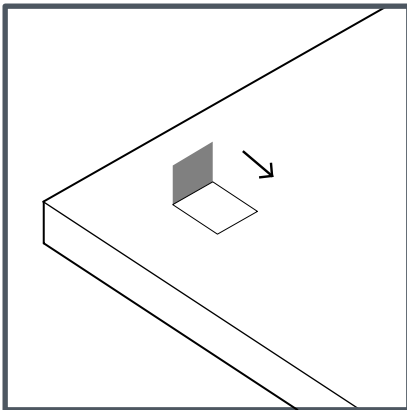
POLY-COUSTIX™
BY SOUND SEAL

PET | POLYESTER ACOUSTICAL PRODUCTS TETRIX AIR™ Installation Overview

2. Locate the strip at all four corners and pull it open to reveal the secret access window.

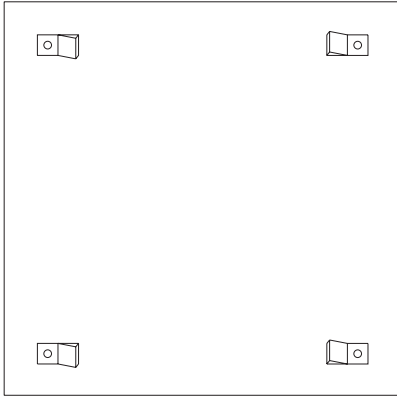


3. Pull the strip to open the secret access window.

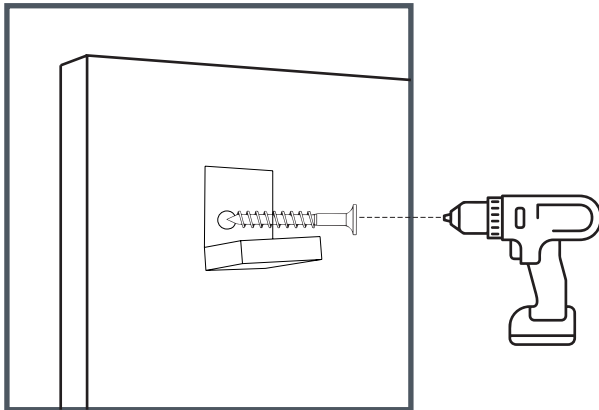




4. Pull all of the secret access windows before install.



5. Use the drywall screw to mount.



6. Close all of the windows to finish installation.

