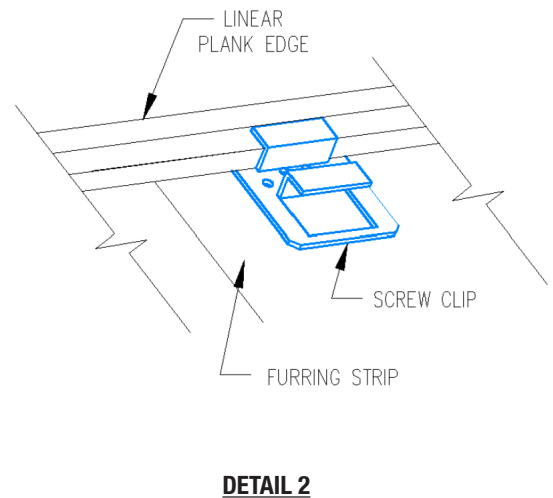
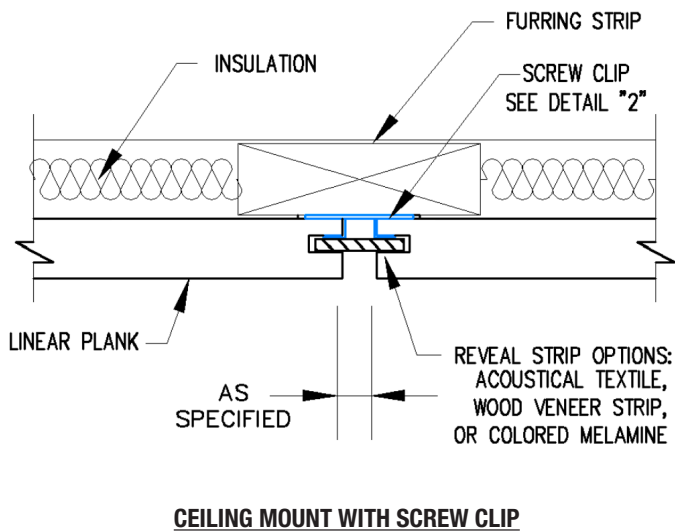
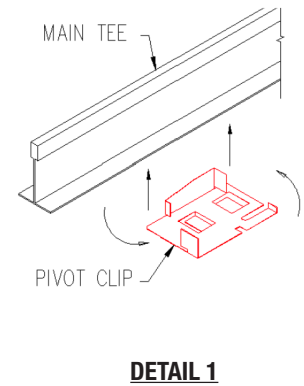
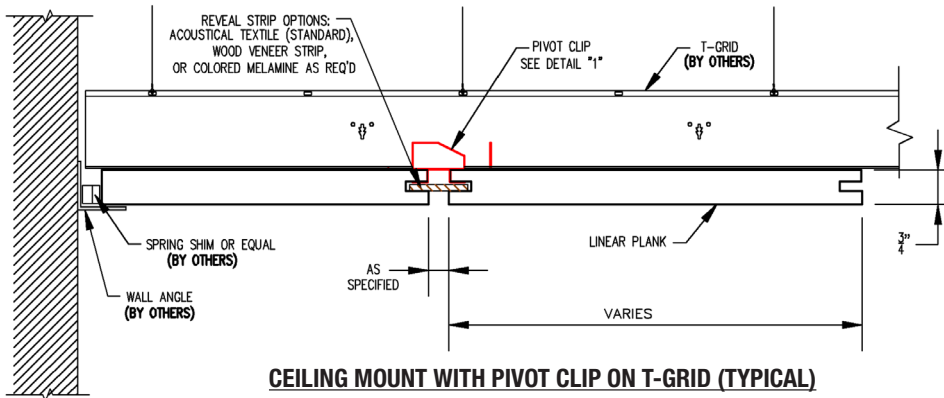


LINEAR CEILING PLANKS

- Mounting Methods:
 - T-Grid ceiling mount with pivot clips
 - Direct mount with screw clips
- Plank widths available 2-1/2" up to 12"
- Plank lengths available up to 120" nominal
- Reveal spacing: Hairline, 3/16", 3/8", 5/8", or 3/4"
- NRC values as high as .90 dependent upon perforation selection where design dictates, non-perforated, reflective linear planks are also available

OPTIONS:

- Acoustical fleece (black) or **Sound Quality Theater Board** can be added upon request.



LINEAR WALL PLANKS

- Wall mount with screw clips
- Plank widths available 2-1/2" up to 12"
- Plank lengths available up to 120" nominal
- Reveal spacing: Hairline, 3/16", 3/8", 5/8", or 3/4"
- NRC values as high as .90 dependent upon perforation selection where design dictates, non-perforated, reflective linear planks are also available

OPTIONS:

- Acoustical fleece (black) or **Sound Quality Theater Board** can be added upon request.

