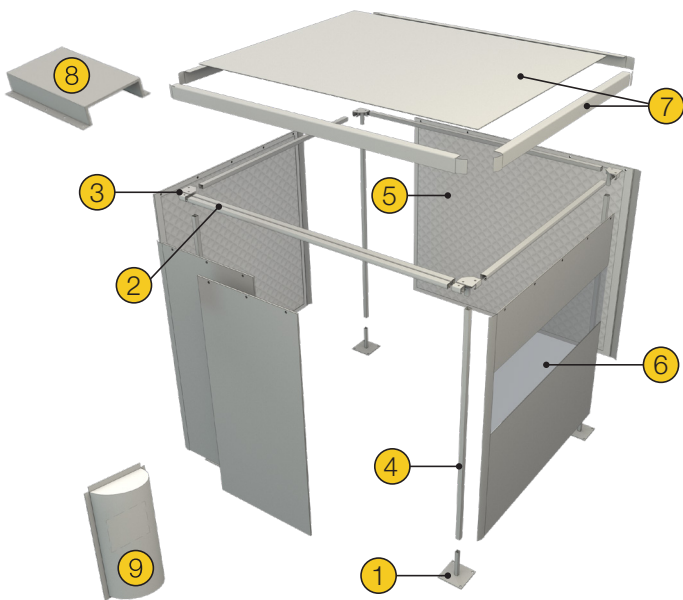




SOUND CURTAINS.
BY SOUND SEAL

SOUND SEAL STANDARD IN-PLANT INDUSTRIAL ACOUSTIC ENCLOSURES

CONVENIENT OFFERING OF OUR MOST REQUESTED INDUSTRIAL ENCLOSURES & OPTIONS, WITHOUT COMPROMISING MACHINE ACCESS, VISIBILITY OR VENTILATION.



FLOOR-MOUNTED ENCLOSURE (4-SIDED)

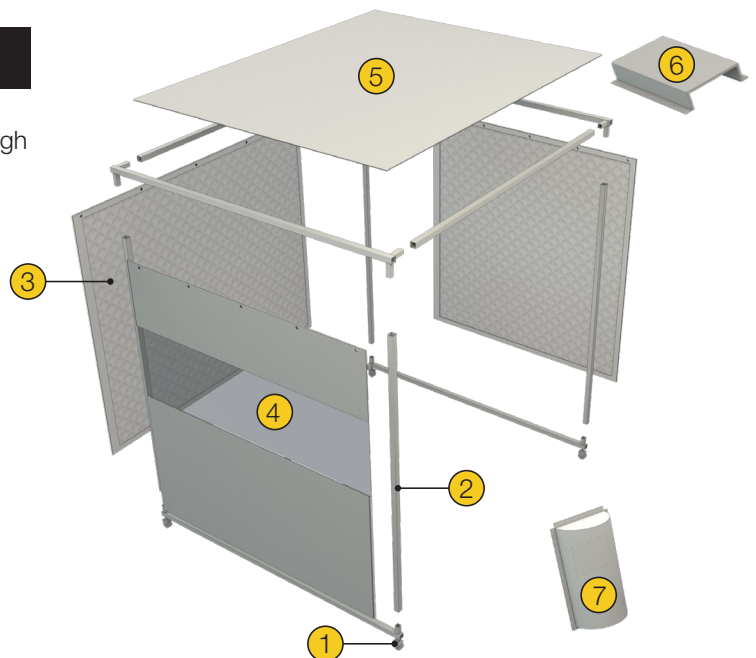
AVAILABLE SIZES | 4' x 4' x 8' high | 8' x 8' x 8' high

- ① Base Plates
- ② Double Track for Access
- ③ Corner Connectors
- ④ Columns
- ⑤ BBC-13-2" or BSC-25 Panel
- ⑥ **Option:** Clear Vinyl Full Width Window (24" High)
- ⑦ **Option:** Roof with Valance
- ⑧ **Option:** Roof Top Vent Baffle
- ⑨ **Option:** Side Vent Baffle

PORTABLE ENCLOSURE (3-SIDED)

AVAILABLE SIZES | 4' x 4' x 4' x 8' high | 4' x 8' x 4' x 8' high

- ① Built-in Locking Casters
- ② Rugged Tubular Steel Frame
- ③ BBC-13-2" or BSC-25 Panel
- ④ **Option:** Clear Vinyl Full Width View Window (24" High)
- ⑤ **Option:** Roof
- ⑥ **Option:** Roof Top Vent Baffle
- ⑦ **Option:** Side Vent Baffle





SOUND CURTAINS.
BY SOUND SEAL

Known for our effective **Industrial In-Plant Complete and Partial Enclosures**, we are proud to now offer standard configurations incorporating some of our most requested options. Choose a standard model as detailed below.

CONFIGURATION	FLOOR-MOUNTED	PORTABLE
SUGGESTED USES	<ul style="list-style-type: none"> Great for stationary equipment on a production floor, loud equipment near a production office, blowers, compressors, dust collectors, granulators and more. Permanent / Fixed 	<ul style="list-style-type: none"> Great for small equipment, protecting the hearing of an operator Easy/fast access Equipment that requires frequent maintenance
AVAILABLE DIMENSIONS	Two options (4-sided) <ul style="list-style-type: none"> 4' x 4' x 8' high 8' x 8' x 8' high 	Two options (3-sided) <ul style="list-style-type: none"> 4' x 4' x 4' sides x 8' high w/ casters 4' x 8' x 4' sides x 8' high w/ casters Option to combine two portable units together to make a larger, 4-sided, portable enclosure.
COLOR	Light Grey	Light Grey
PANEL TYPE	Two options: <ul style="list-style-type: none"> BBC-13-2" BSC-25 * Shipped with a field edge binding kit for on-site modifications.	Two options: <ul style="list-style-type: none"> BBC-13-2" BSC-25 * Shipped with a field edge binding kit for on-site modifications.
OPTIONS	<ul style="list-style-type: none"> Roof with valance Roof top vent baffle Side air intake baffle Clear vinyl windows 	<ul style="list-style-type: none"> Roof Roof top vent baffle Side air intake baffle Clear vinyl windows
BENEFITS	<ul style="list-style-type: none"> Sturdy/fixed assembly Double-track on 1 side for quick access Affordable alternative to metal enclosures 	<ul style="list-style-type: none"> Fast/easy install 1-2 person portability (with locking casters) Entire system can be removed and stored when not in use.

ACOUSTICAL DATA — Octave Band Frequencies (Hz)							
Sound Seal Model #	125	250	500	1K	2K	4K	STC/NRC
BBC 13-2"	13	20	29	40	50	55	32 STC
	0.07	0.27	0.96	1.13	1.08	0.99	0.85 NRC
BSC-25	12	16	27	40	44	43	29 STC
	0.45	0.96	0.87	0.66	0.47	0.30	0.75 NRC

