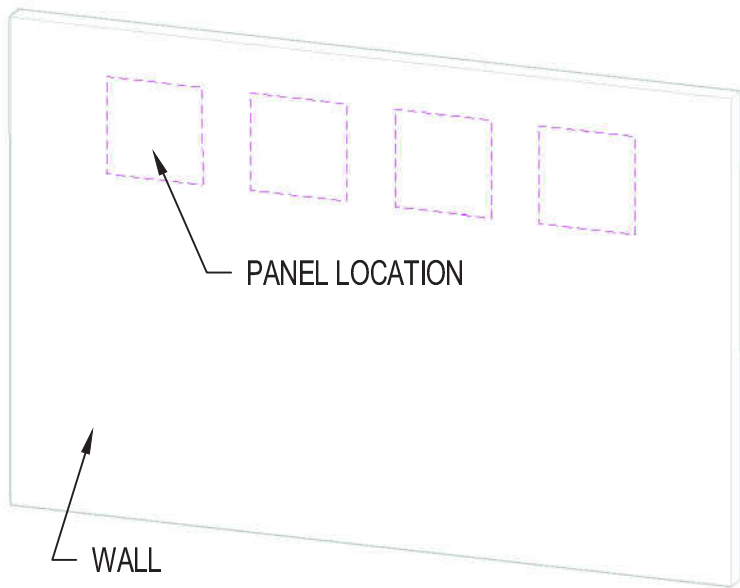
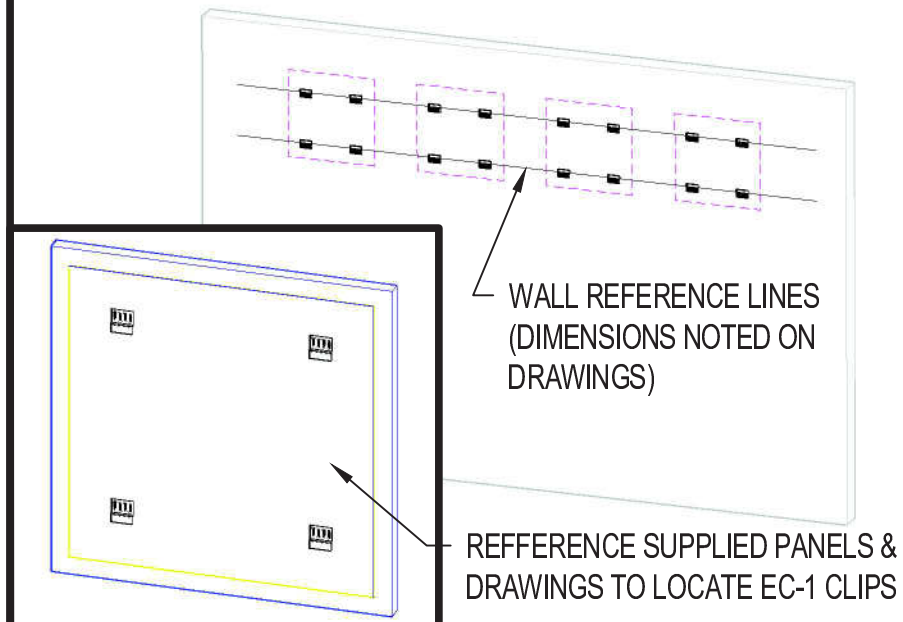


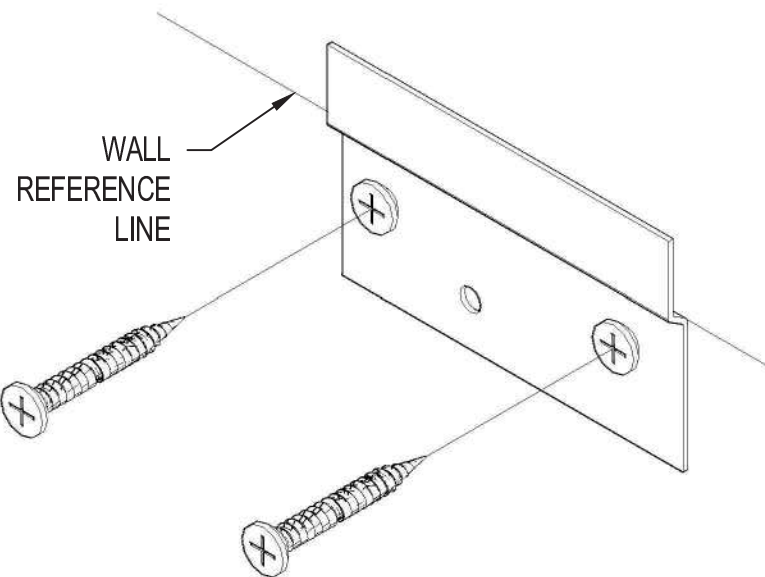
1. LAY OUT THE PANEL LOCATION(S) ON THE WALL.
NOTE: PANEL NEEDS APPROX 1" GAP @ TOP TO ALLOW ENGAGEMENT OF EC-CLIPS.



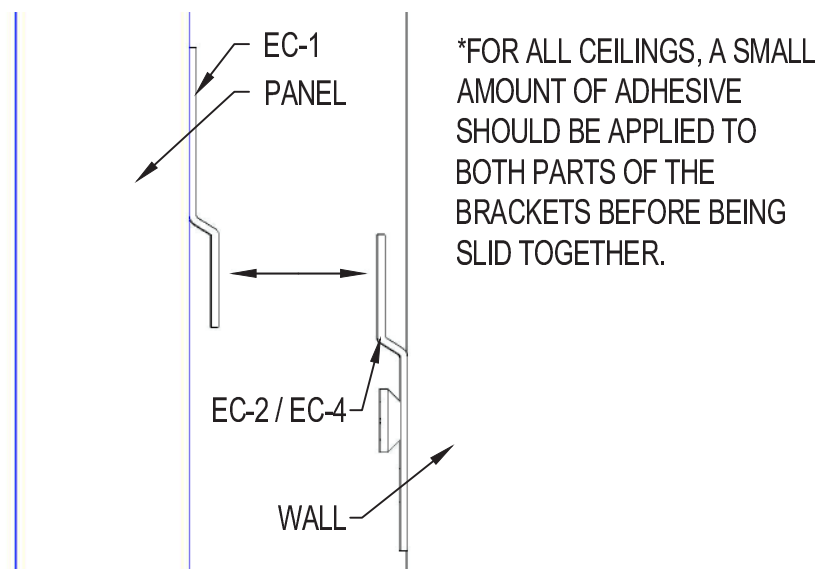
2. DETERMINE EC-2 / EC-4 BRACKET LOCATIONS ON WALL, BRACKETS SHOULD LINE UP WITH EC-1 CLIPS ON SUPPLIED PANELS.



3. SECURE THE EC-2 / EC-4 BRACKETS TO THE WALL WITH SCREWS.



4. SLIDE THE EC-1 CLIPS ATTACHED TO THE PANEL ONTO THE EC-2 / EC-4 BRACKETS ON THE WALL.



SOUND SEAL®
50 H.P. ALMGREN DRIVE AGAWAM, MA 01001
WWW.SOUNDSEAL.COM (413) 789-1770



**EC-CLIP
MOUNTING DETAIL**