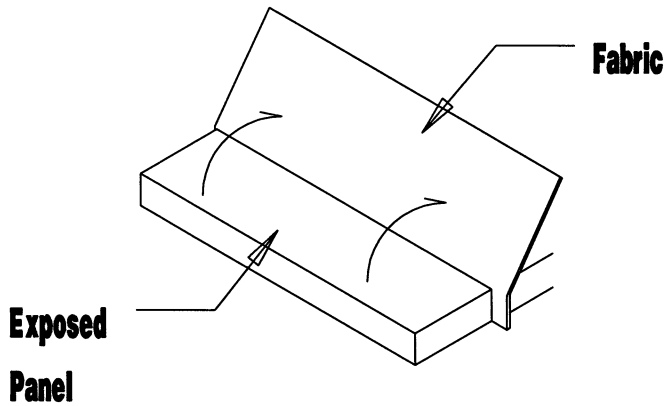
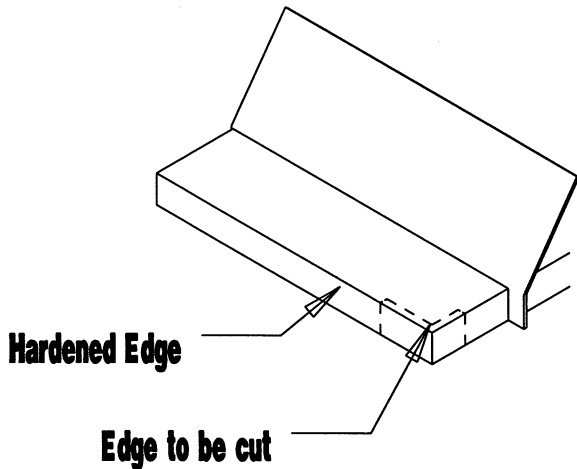


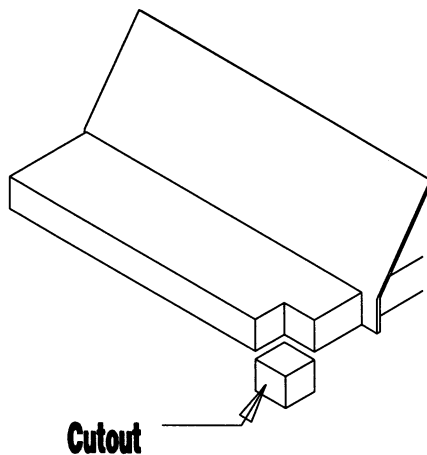
**1) Peel back the fabric to the point where the panel needs to be cut**



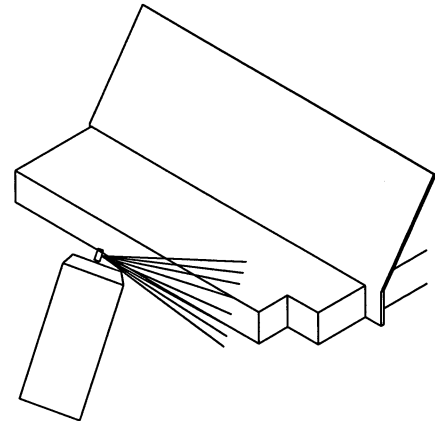
**2) For edge cutouts, if the edges have been hardened, use a hacksaw to cut through the edge hardener**



**3) Cut through the balance of fiberglass with a long stainless steel kitchen knife (a bread knife works well)**

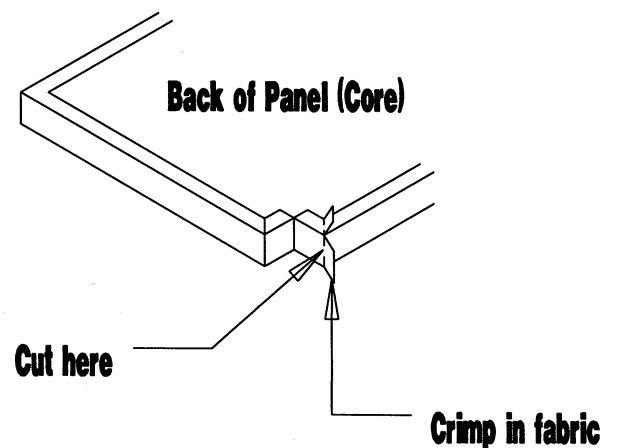


**4) Spray a light mist of adhesive spray (3M 77) on face and around back**



**(Note: Spray in well ventilated area away from sparks and flame)**

**5) Crimp the excess fabric (at the corner) in a 45 degree to the corner (tightly) and snip off excess fabric with scissors**



**(Note: Do Not Overlap Fabric At All)**