

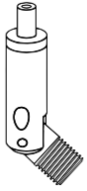


POLY-COUSTIX™
BY SOUND SEAL

PET | POLYESTER ACOUSTICAL PRODUCTS STRATUX CLOUD™ Installation Overview

These installation suggestions consist of a common process for baffle installation. Installers should rely upon their own professional experience and understanding of their unique requirements to ensure a successful install.

ITEMS INCLUDED



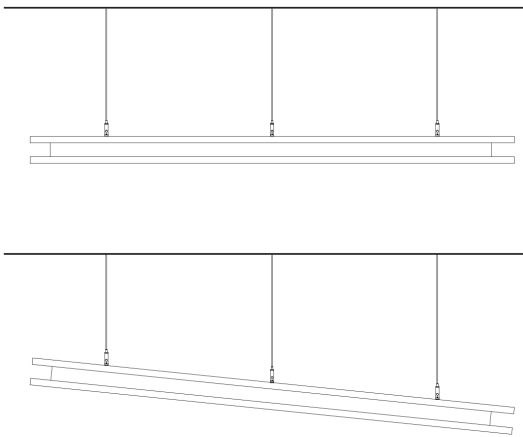
Jointed Gripper

OPTIONAL SINGLE STRAND TO DECK INSTALLATION METHOD

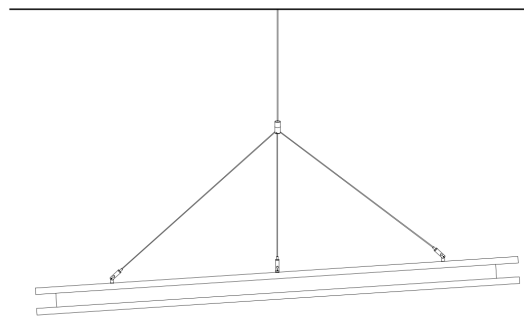


Sputnik assembly and cables with ball ends

MULTIPLE CABLE METHOD



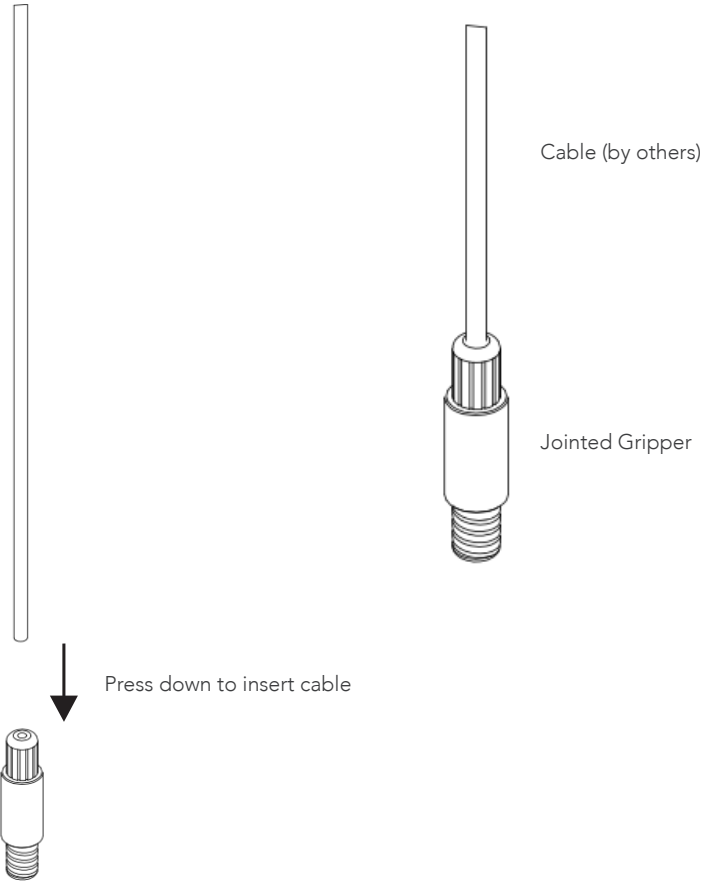
OPTIONAL SINGLE STRAND TO DECK INSTALLATION METHOD



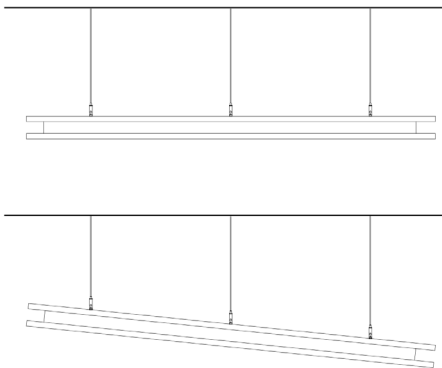


MULTIPLE CABLE METHOD

1. Press and hold the channel nut tip to insert the cable.



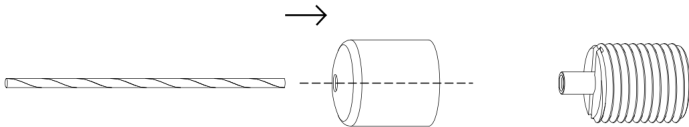
2. Locate the 1/4" threaded hole and screw in the jointed gripper.



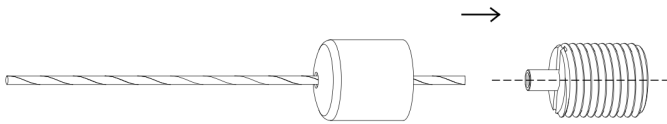


OPTIONAL SINGLE STRAND TO DECK INSTALLATION

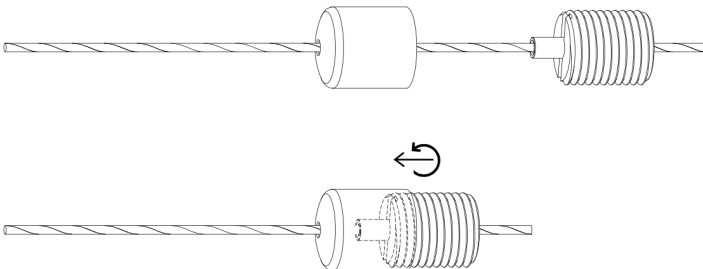
1. Insert the cable into the sputnik head.



2. Insert the cable into the threaded head.



3. Screw it to the sputnik head.

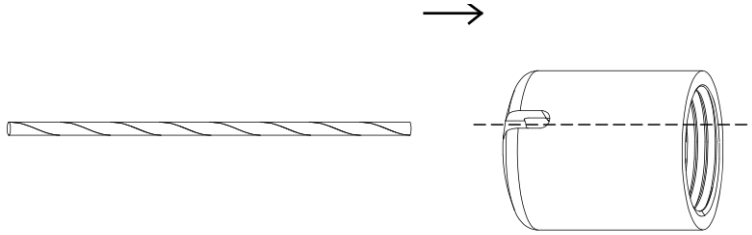




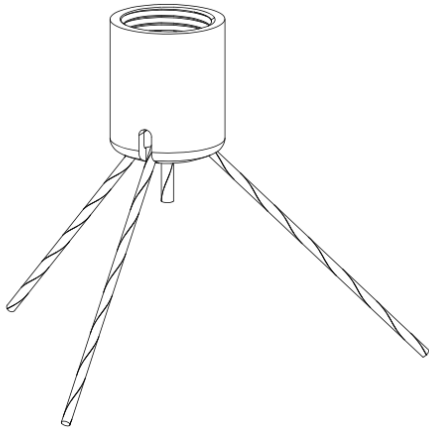
POLY-COUSTIX™
BY SOUND SEAL

PET | POLYESTER ACOUSTICAL PRODUCTS STRATUX CLOUD™ Installation Overview

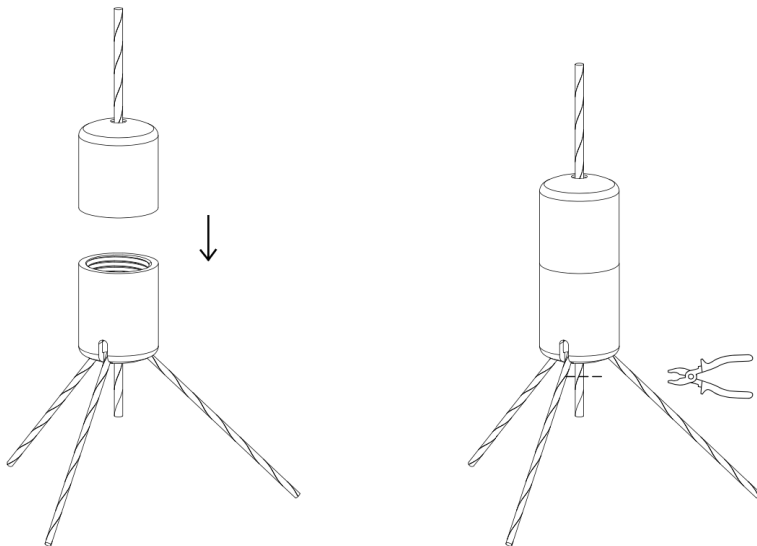
4. Insert cables to the bottom exit.



5. For the STRATUX CLOUD Circle use (3) included cables with ball ends to attach on the bottom exit; use (4) for the STRATUX CLOUD Square (not shown).



6. Screw it back to the sputnik head and cut excess wire.

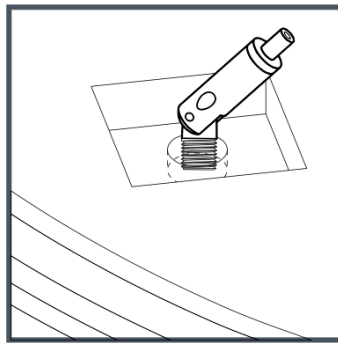
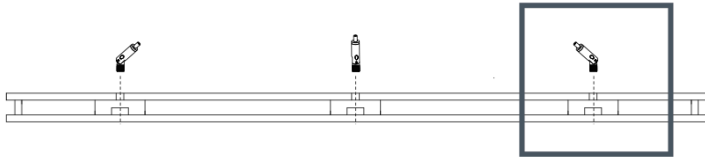




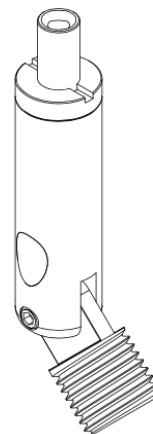
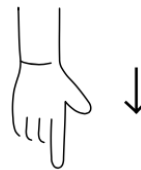
POLY-COUSTIX™
BY SOUND SEAL

PET | POLYESTER ACOUSTICAL PRODUCTS STRATUX CLOUD™ Installation Overview

7. Locate the threaded hole to mount the jointed gripper.

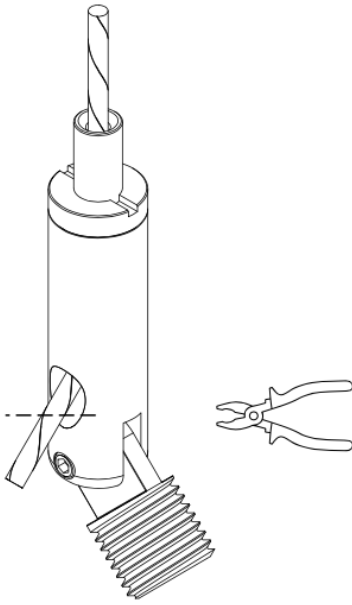


8. Press and hold the spring portion to insert the cable.





9. After insert cut out the excess cable.



10. Finished assembly. Cloud can be hung at different lengths.

