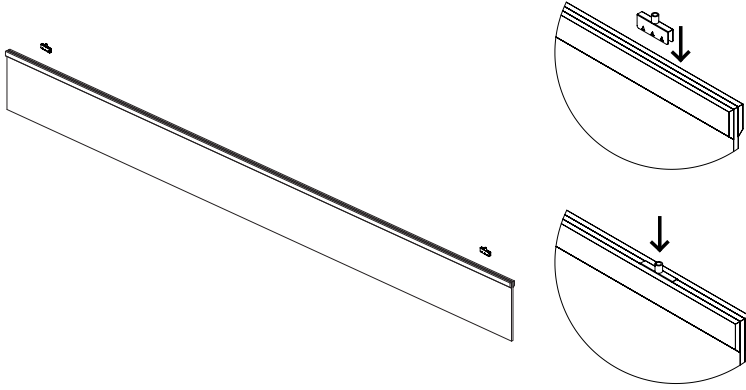
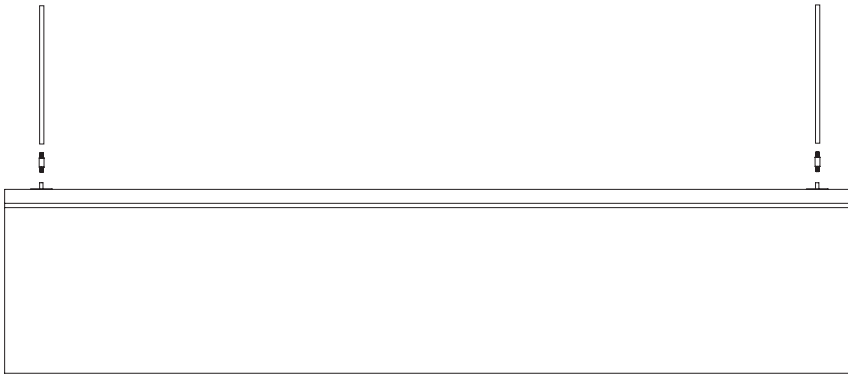


1. Locate where the two spike brackets need to be placed. Recommended 6" away from each side.
Slide the spike bracket from the top, in between the layers and it will grip into the material.



2. Insert the aircraft cable into the griplock. Cut excess wire if needed.



3. Insert and screw the griplock on the spike bracket.

