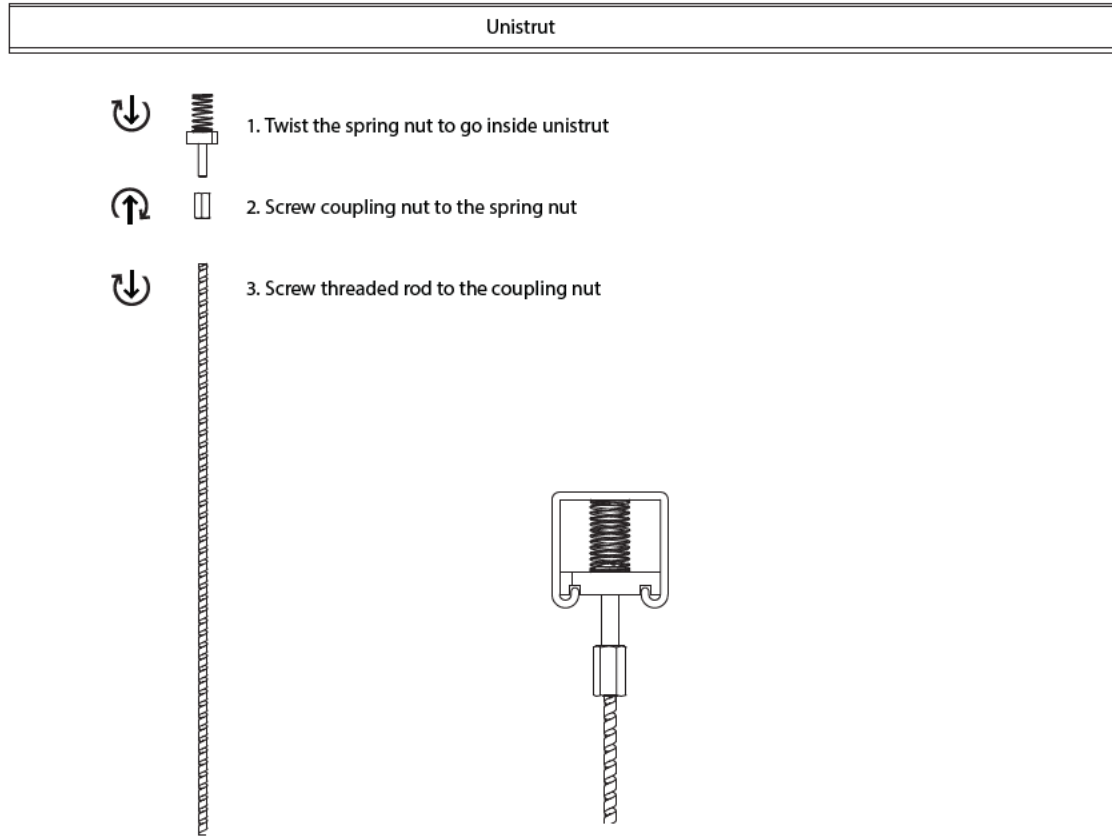
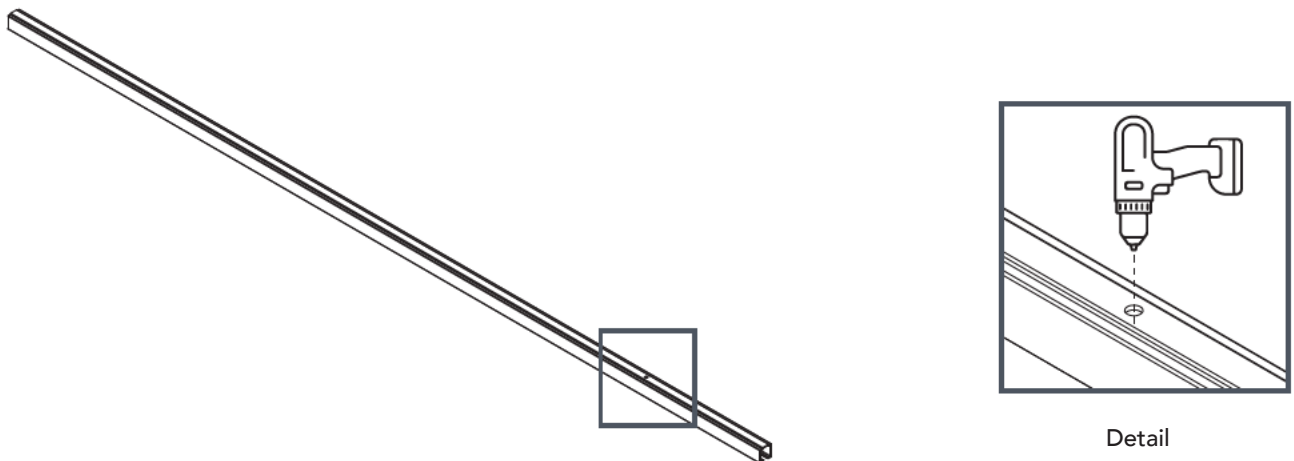


1. Install Threaded Rod from Unistrut supplied by others.



2. Make 1/4" drill for threaded rod assembly.



3. Insert the threaded rod on the pre-drilled location of side panel assemble extrusion.

