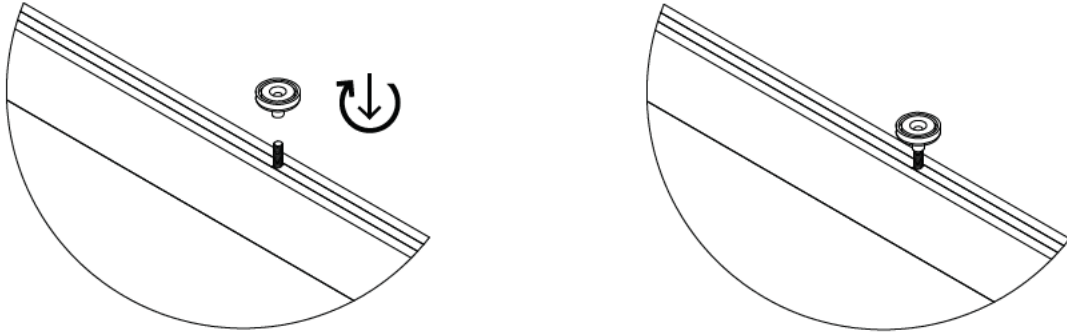
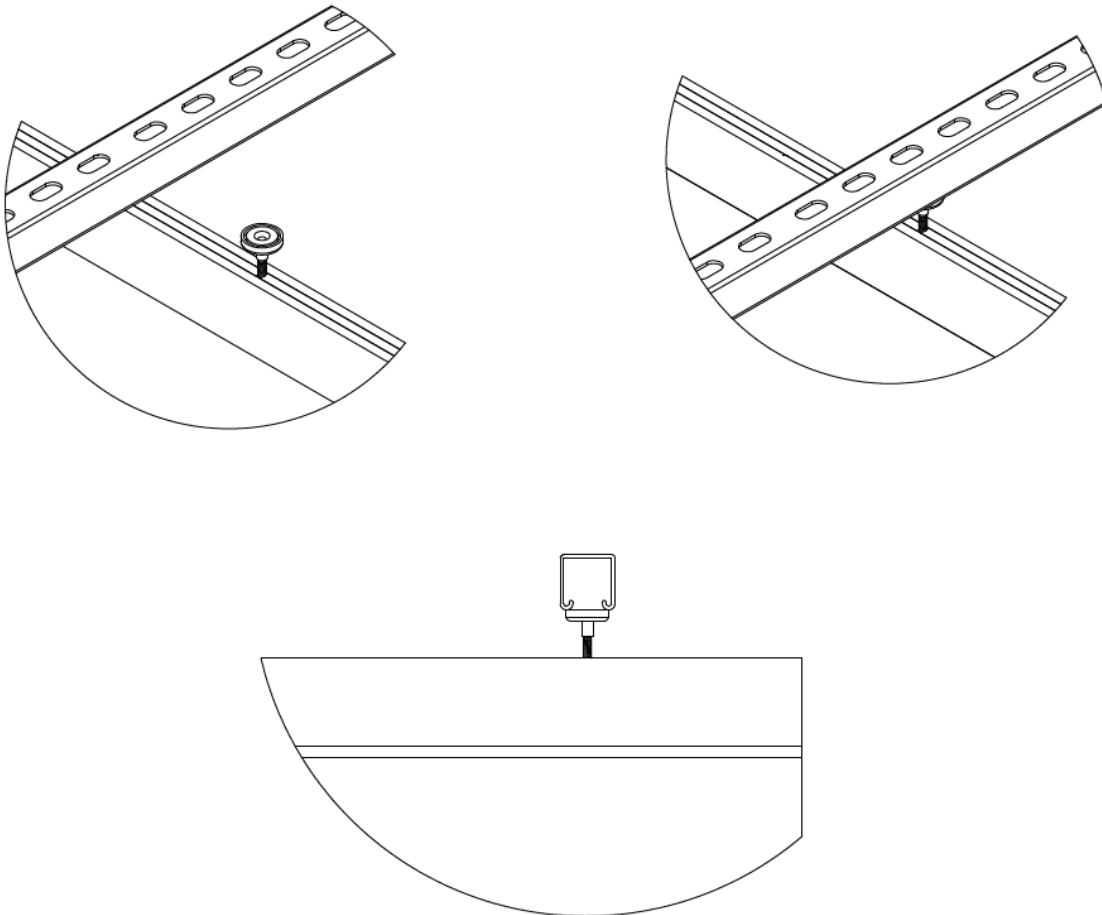


1. Insert the magnetic stud all the way to the threaded portion of the t-nut.



2. Attach the magnet to the unistrut supplied by others.



3. Complete the installation.

