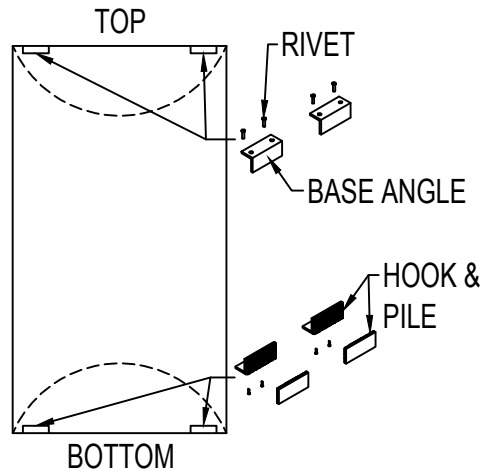
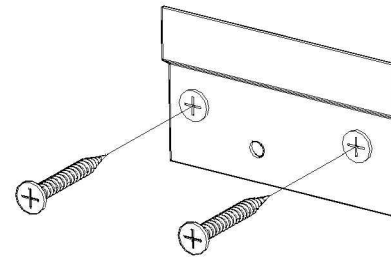


1. ATTACH THE TWO 4" LONG BASE ANGLES TO THE TOP OF THE DIFFUSER FROM THE INSIDE. LOCATE AND DRILL HOLES IN DIFFUSER USING BASE ANGLE HOLES AS TEMPLATE. SECURE BASE ANGLE TO DIFFUSER WITH RIVETS (SUPPLIED BY OTHERS).

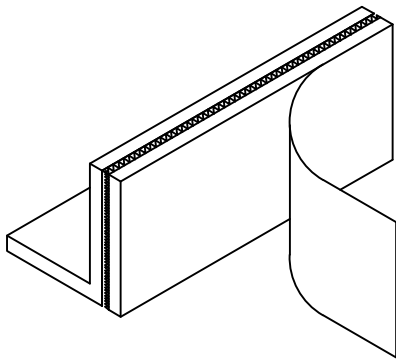
2. ATTACH THE TWO 4" LONG BASE ANGLES (W/ PILE VELCRO & PSA HOOK) TO THE BOTTOM OF THE DIFFUSER FROM THE INSIDE. REPEAT DRILLING & ATTACHMENT PROCESS FROM STEP 1.



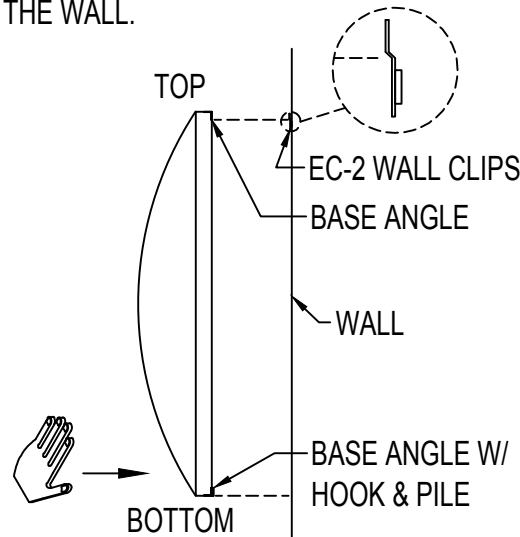
3. SECURE EC-2 CLIPS TO WALL W/ SCREWS. USE WASHERS (BY OTHERS) TO SHIM EC-2 AWAY FROM WALL IF NEEDED.



4. PEEL THE PAPER BACKING OFF THE HOOK & PILE BEFORE INSTALLING DIFFUSER ON THE WALL.



5. HANG THE BASE ANGLES ON THE EC-2 CLIPS. LEVEL AND ADJUST AS NECESSARY. IN THE VICINITY OF THE HOOK & PILE, PUSH THE DIFFUSER FIRMLY TO THE WALL.



ITEMS INCLUDED W/ DIFFUSER WALL MOUNT KIT

- (4) 4" LONG BASE ANGLES
- (2) 4" LONG HOOK & PILE STRIPS
- (2) EC-2 WALL CLIPS

SOUND SEAL®
 50 H.P. ALMGREN DRIVE AGAWAM, MA 01001
 WWW.SOUNDSEAL.COM (413) 789-1770



**WALL DIFFUSER
 INSTALL DETAIL**