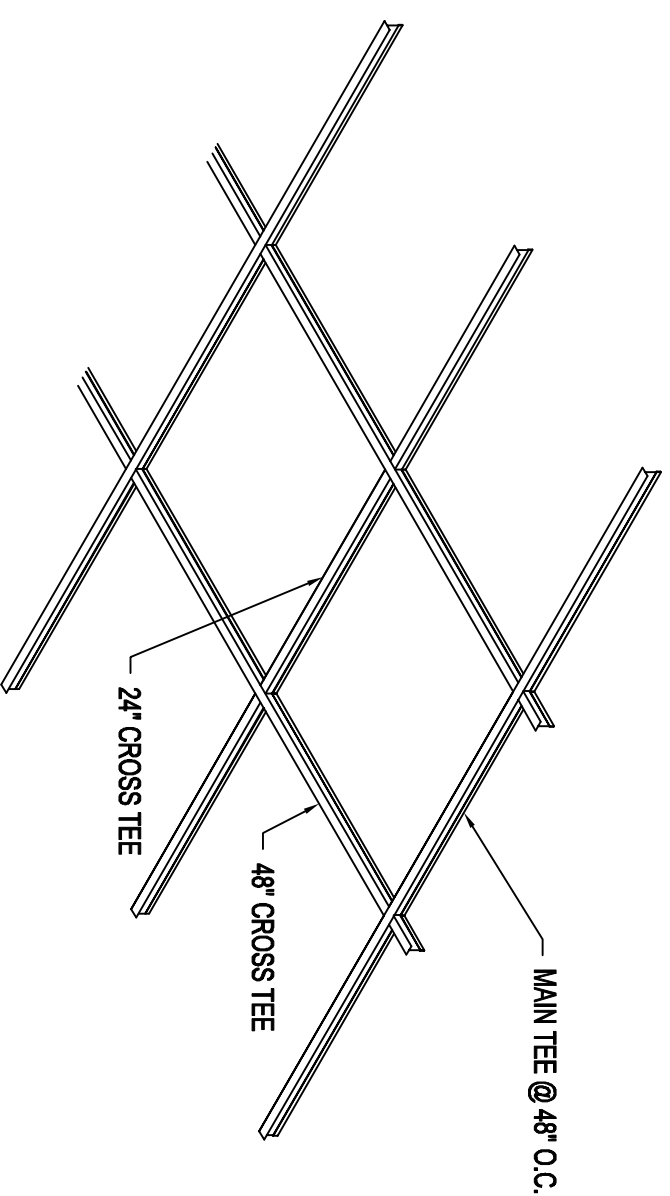


WoodTrends Basic Installation Guidelines

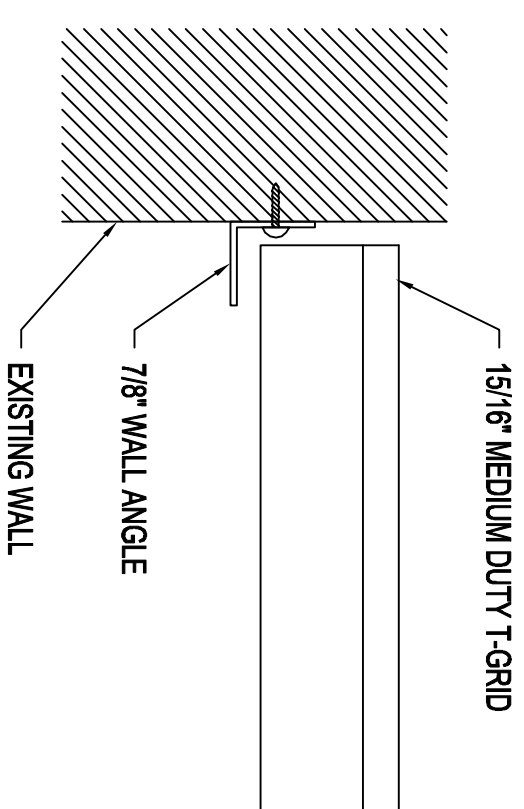
STOP PLEASE READ THIS FIRST

1. Install 15/16" medium duty T-grid system as described by Cisca. Wall angle is to be installed approximately 1/4" below T-grid. Do not brace or anchor tee to wall angle.
2. Install outer panels first. Start with the corner panels & then fill in the edge panels - make sure the grain of the panels runs the same way. Shim all panels with spring clips or equal.
3. Install field panels - make sure the grain of the panels runs the same way.
4. Clean panels with a soft, clean, dust-free cloth. If a cleanser is needed, use a quality furniture polish, lemon oil is recommended. Apply the polish to the cloth, not the panel.

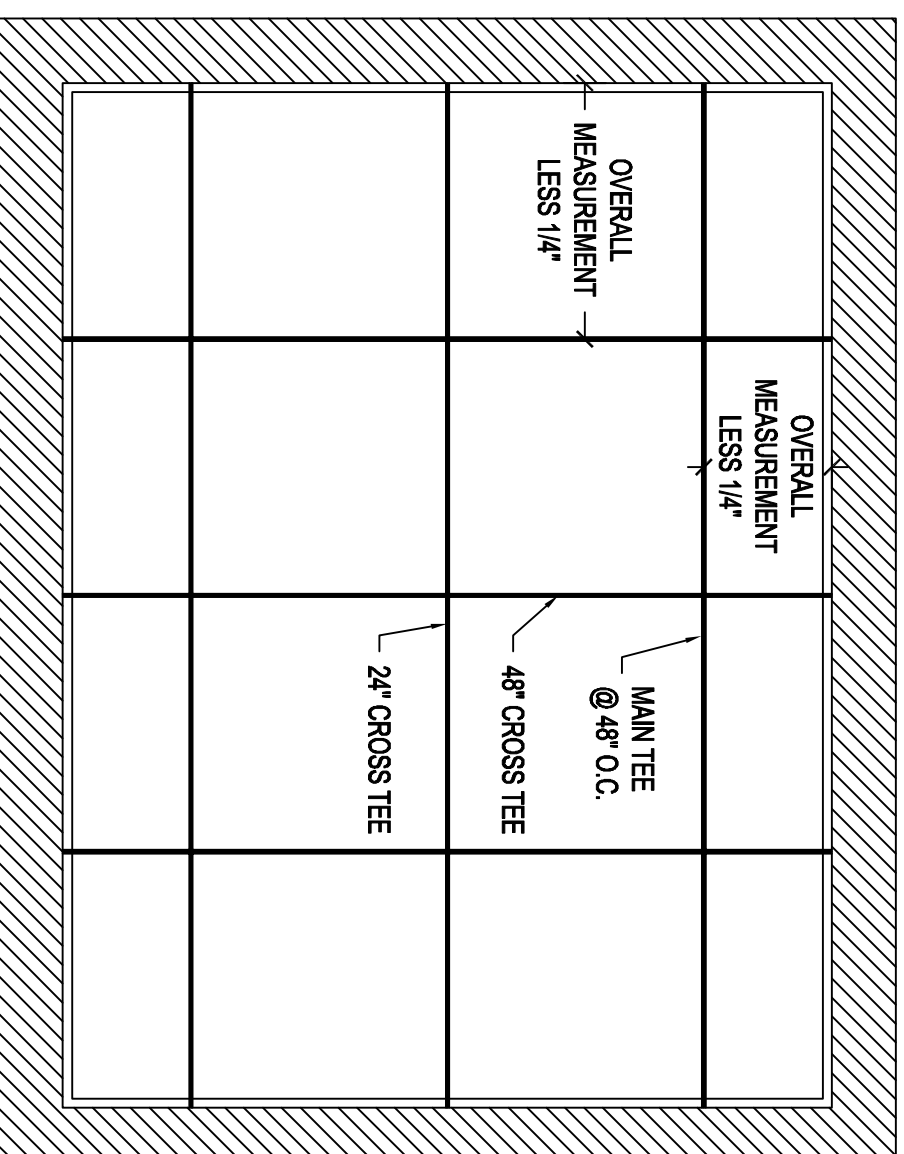
DETAIL A



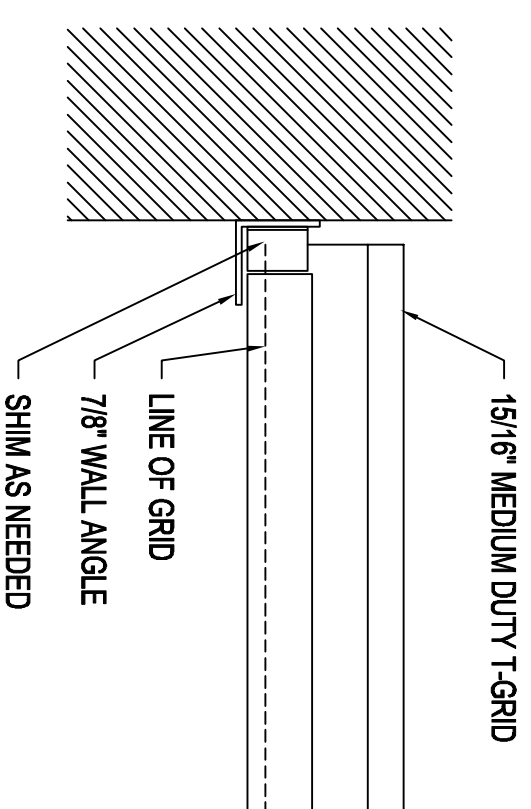
DETAIL B



DETAIL C



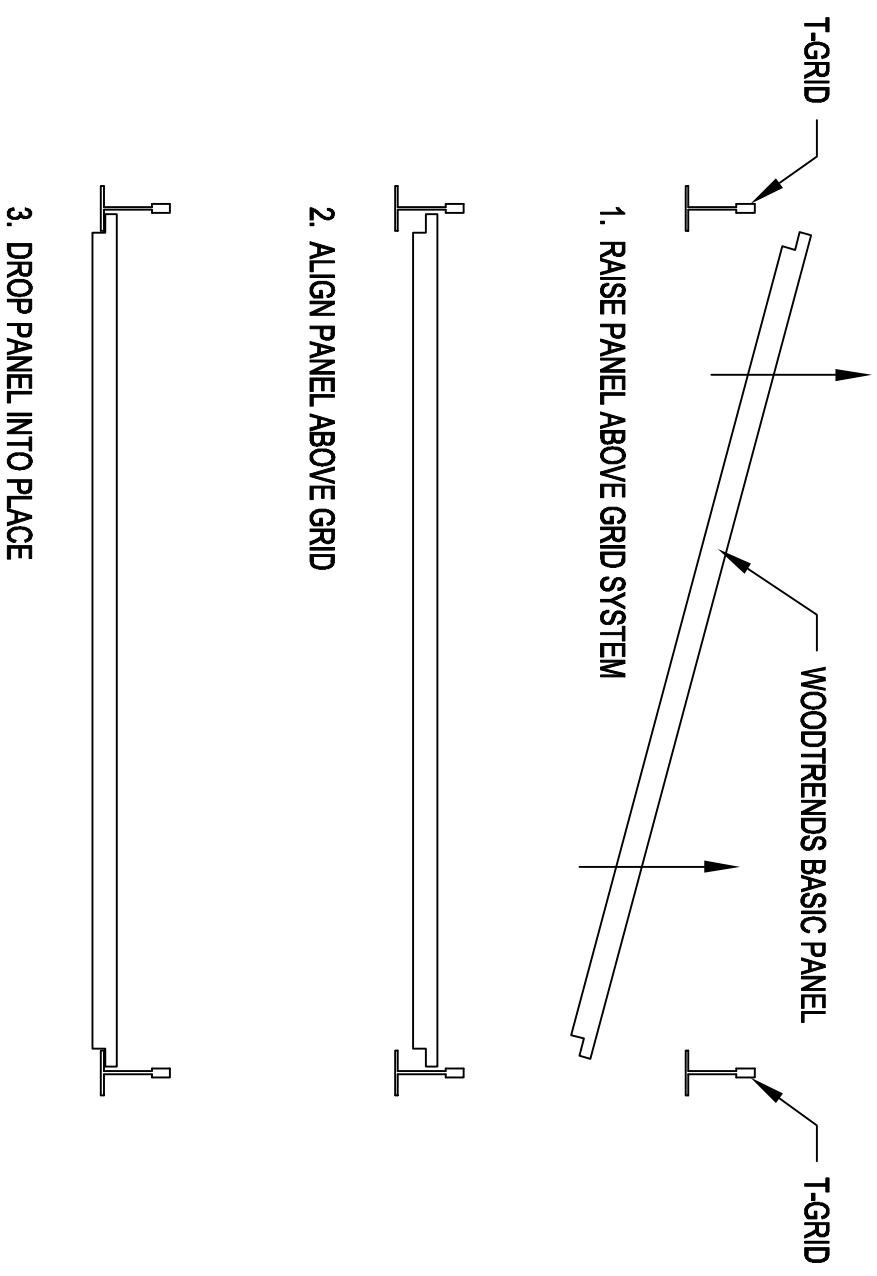
DETAIL D



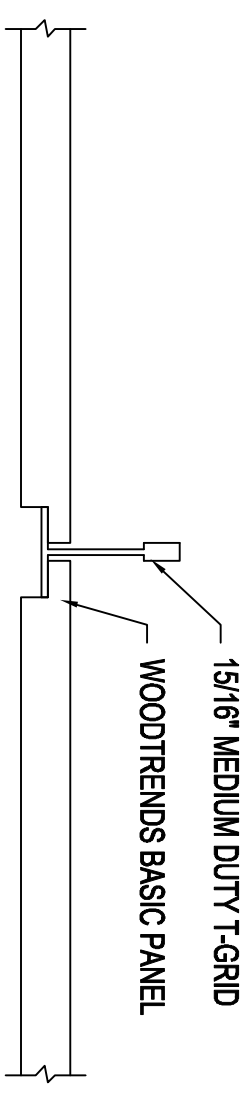
SOUND SEAL™

50 H.P. ALMGREN DRIVE
P.O. BOX 545
AGAWAM, MA 01001

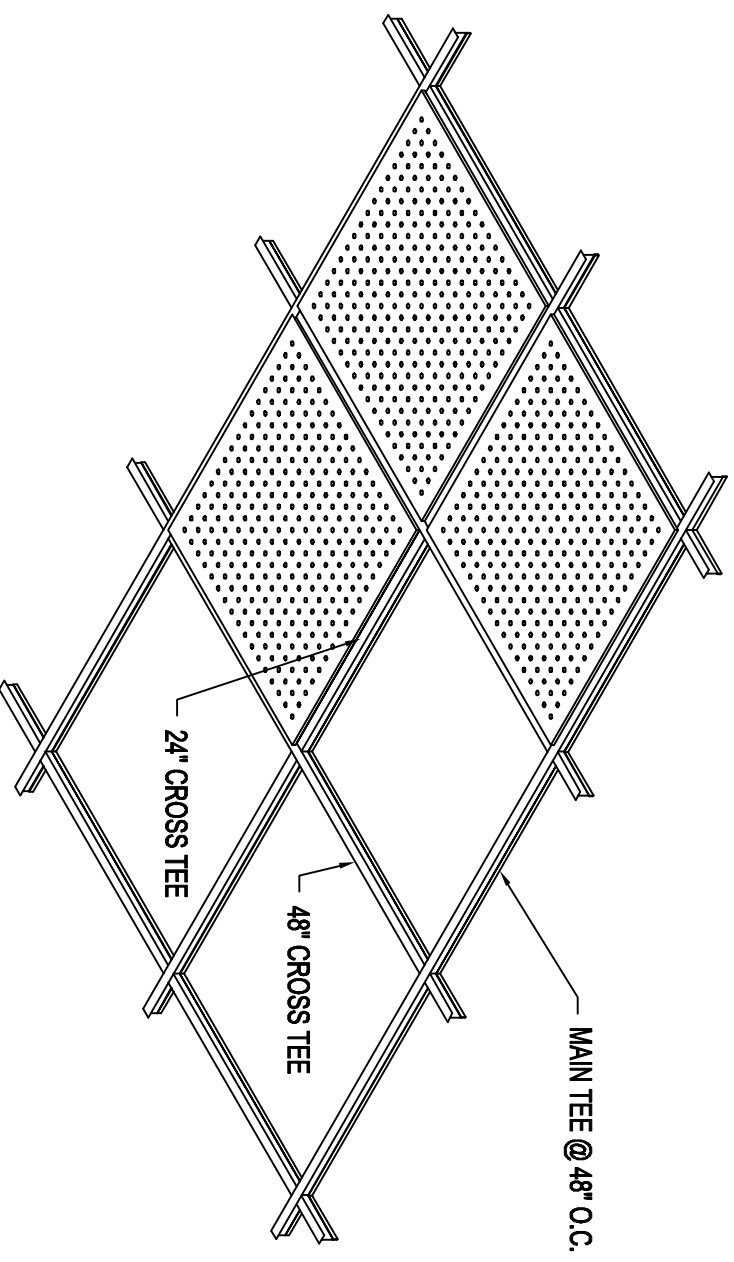
DETAIL E



DETAIL F



DETAIL G



DETAIL H