

AIRCRAFT CABLE

These installation suggestions consist of a common process for baffle installation. Installers should rely upon their own professional experience and understanding of their unique requirements to ensure a successful install.

TOOLS NEEDED



Cable Cutter

OPTIONAL



1/16" Aircraft Cable
(3' per baffle included)

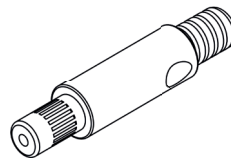
Additional length required, if any,
will be determined by site needs

Note: Installer to select preferred ceiling hardware.

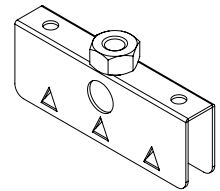
ITEMS INCLUDED



Baffle

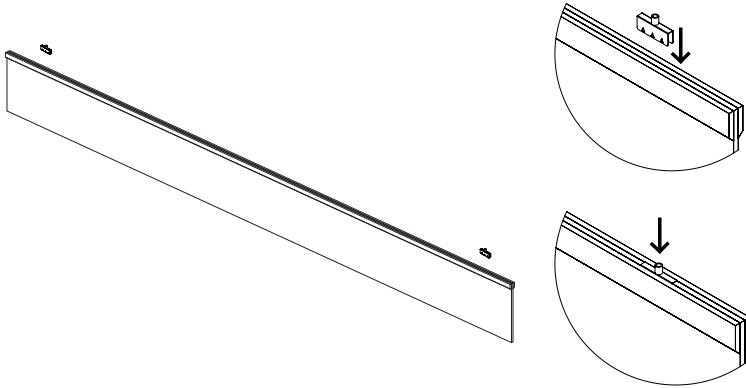


(2) Grip Lock-Lock

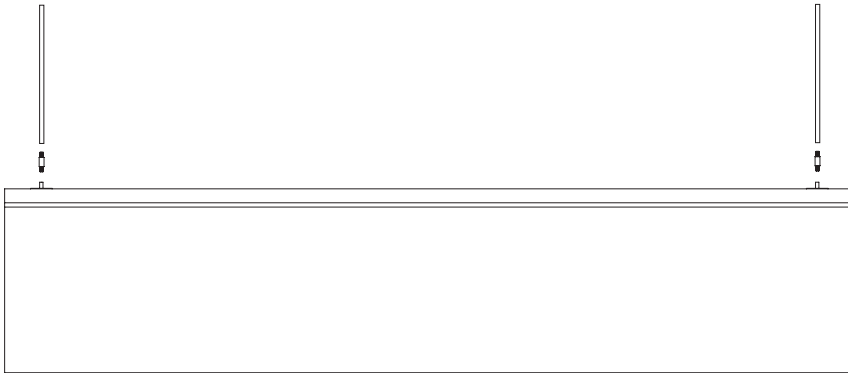


(2) 9mm Spike Bracket

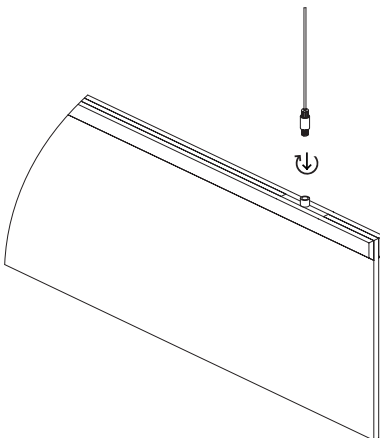
1. Locate where the two spike brackets need to be placed. Recommended 6" away from each side.
Slide the spike bracket from the top, in between the layers and it will grip into the material.



2. Press down on the top of the griplock to allow the aircraft cable to slide in. Cut excess wire if needed once secure.



3. Insert and screw the griplock on the spike bracket.



THREADED ROD

These installation guidelines consist of the common process of adding a 1/4" (20) threaded stud for baffle installation. Installers should rely upon their own professional experience and understanding of their unique requirements to ensure a successful installation.

TOOLS NEEDED



Cable Cutter

BY OTHERS

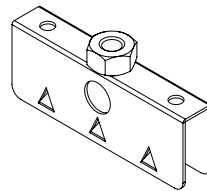


Threaded Rod 1/4-20

ITEMS INCLUDED



Baffle



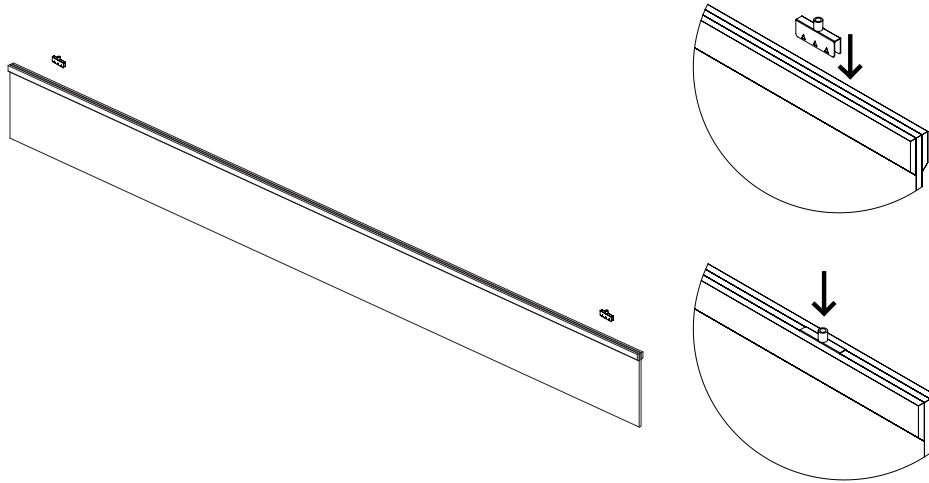
(2) 9 mm Spike Bracket

PET | POLYESTER ACOUSTICAL PRODUCTS

VERTEX SLIM[®] BAFFLE Installation Overview

Threaded Rod to Spike Bracket

1. Locate where the two spike brackets need to be placed. Recommended 6" away from each side.
Slide the spike bracket from the top, in between the layers and it will grip into the material.



2. Install the threaded rod into the spike bracket.

