

WoodTrends Grille Installation Guidelines for Ceilings

STOP PLEASE READ THIS FIRST

T-Grid Installation:

Layout, on paper, the panels as they will be installed. Main tees will run perpendicular to the dowels or strips. Install heavy duty grid as per CISCA requirements. Main tees are to align with the panel dowels/backer strips. Start the layout with the dowel/strip nearest the panel end. Allow for a 1" separation between the ends of the panels. This will allow for the use of standard 1'-0" cross tee between the mains where panel ends meet. See detail A. Main tees should be located no more than 4'-0" on center.

Panel Installation:

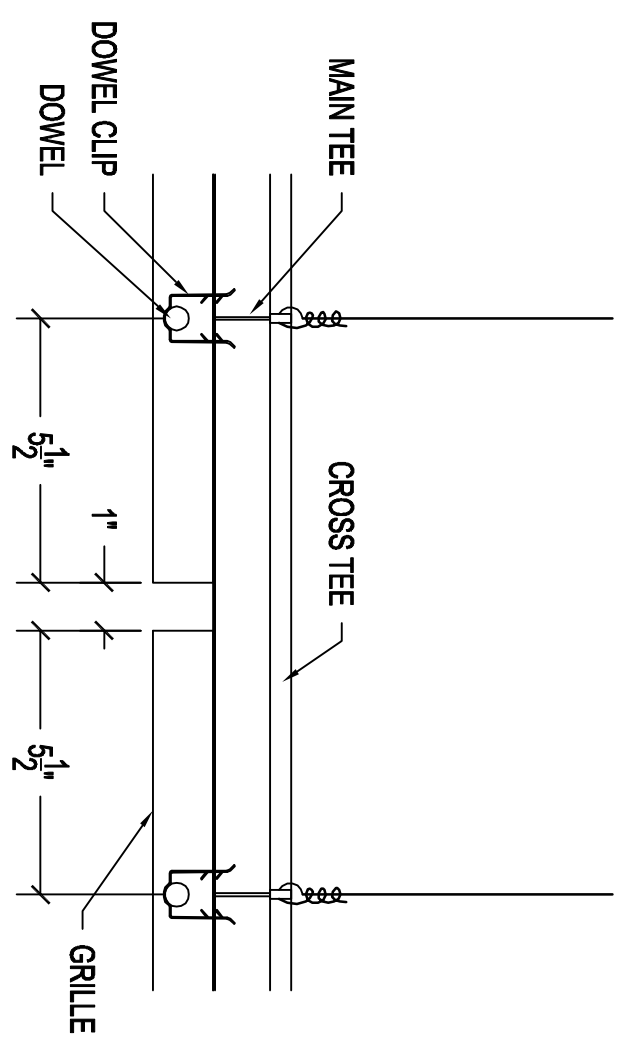
Starting at one wall, connect the grilles to the main tees. Face the female side of the panel towards the wall. Typically the panels are installed 1" off the face of the wall. See detail B. Depending on installation, use direct screwing or clips. See detail B & C. Continue installing the panel along the starting wall until complete. Cut the last panel in the run as required, if necessary. Use a standard satin finish lacquer to seal all the cut panels. Repeat the process until all panels are installed. Make sure the following row of panels engage the male side of the previous row of panels. See detail D.

Cleanup:

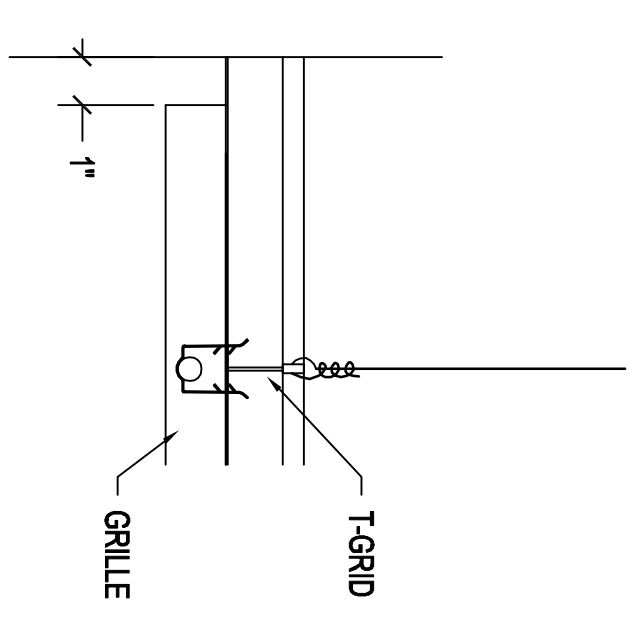
Make final adjustments as necessary. Clean all blades so they are free of dust, dirt and oils. Wipe with lemon oil and a lint free cloth, polishing the blades to a deep sheen.

SOUND SEAL™ 50 H.P. ALMGREN DRIVE
P.O. BOX 545
AGAWAM, MA 01001

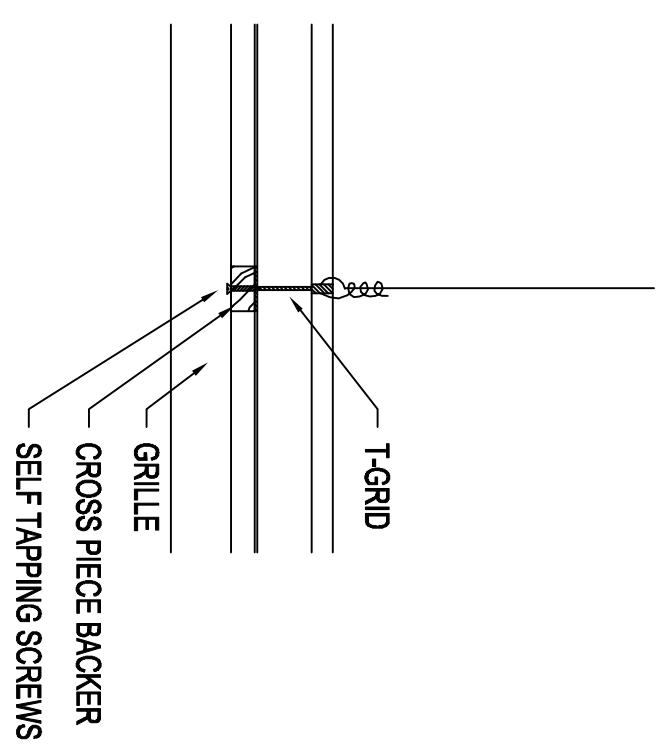
DETAIL A



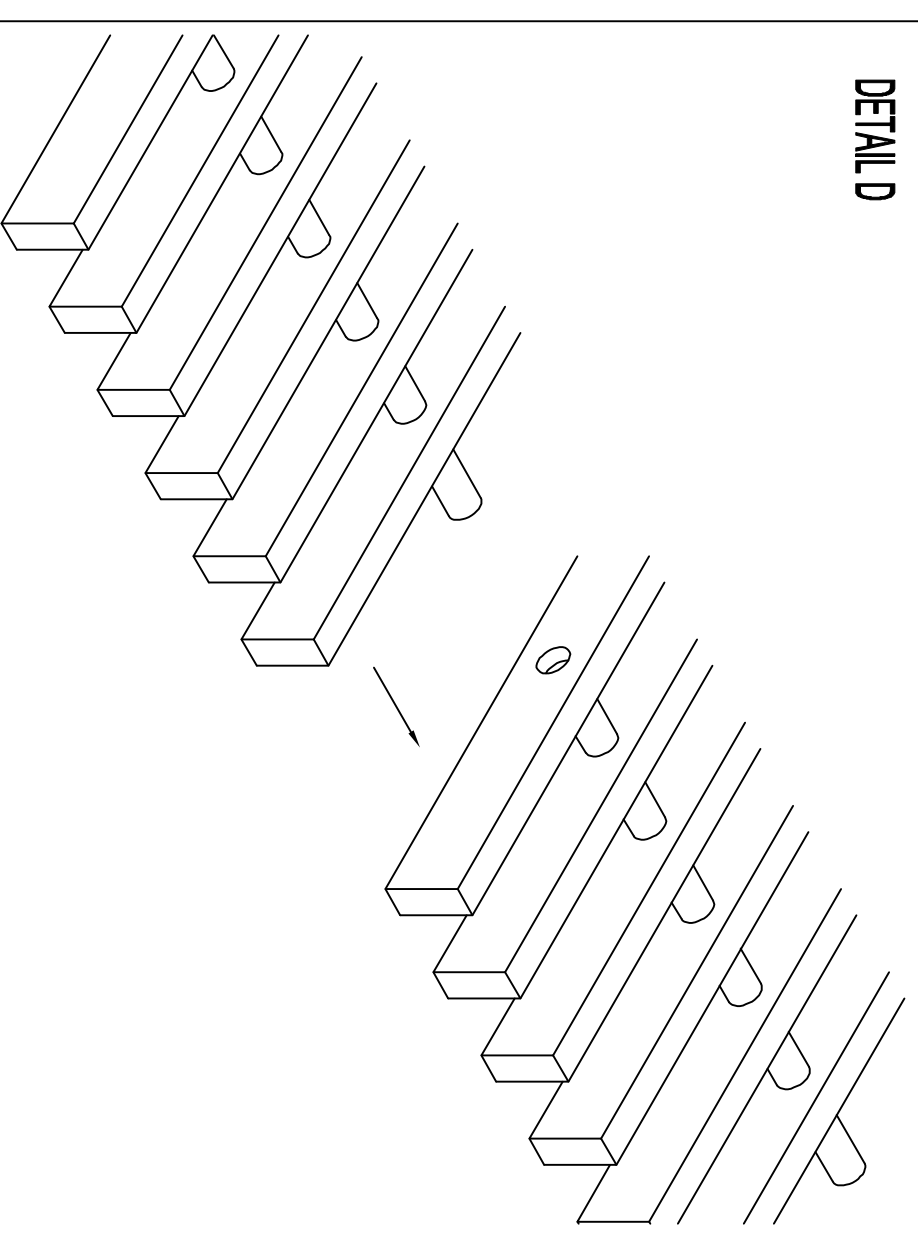
DETAIL B



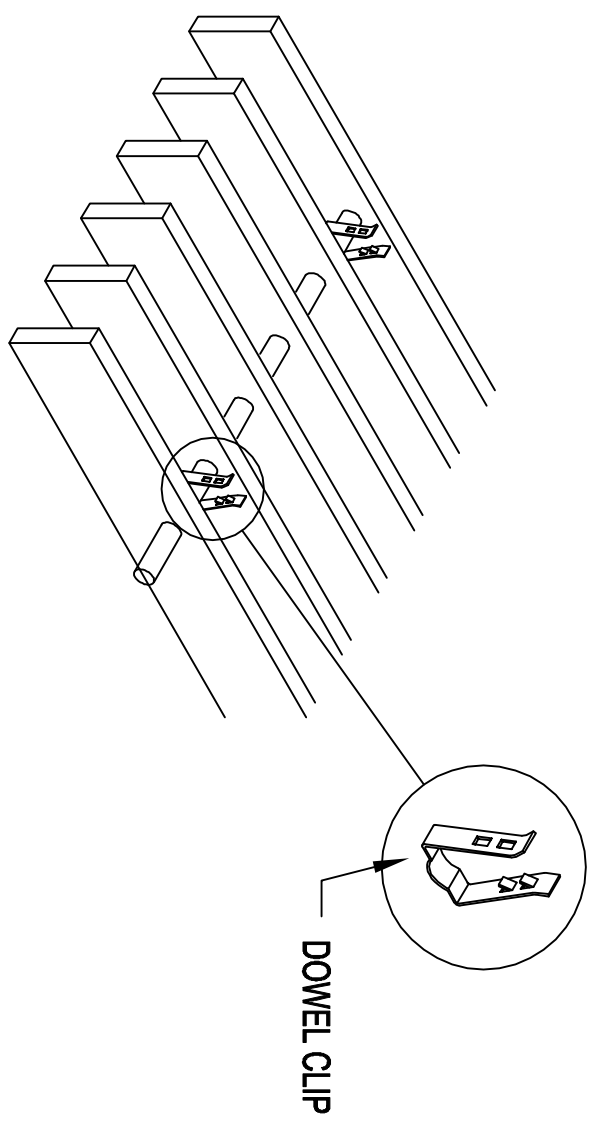
DETAIL C



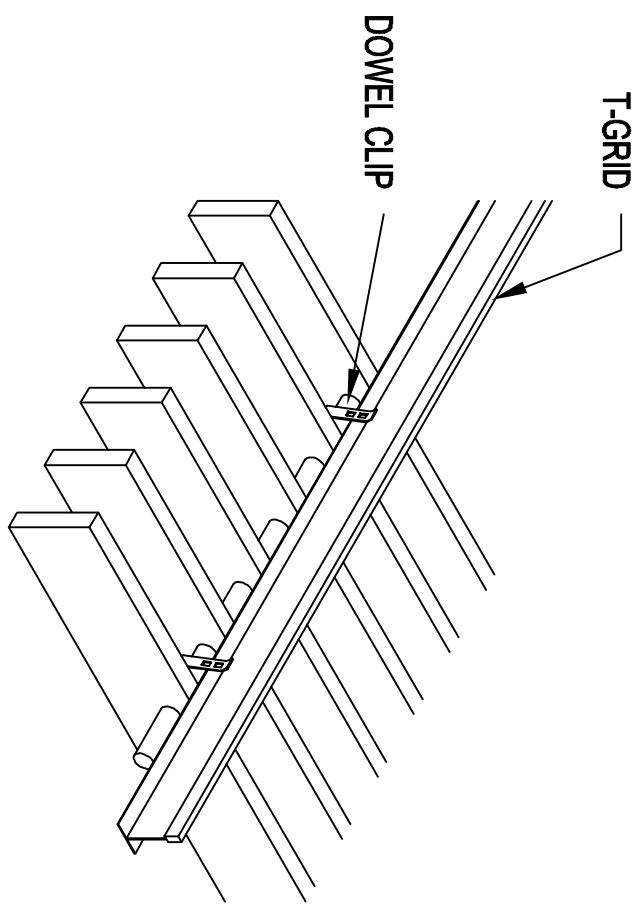
DETAIL D



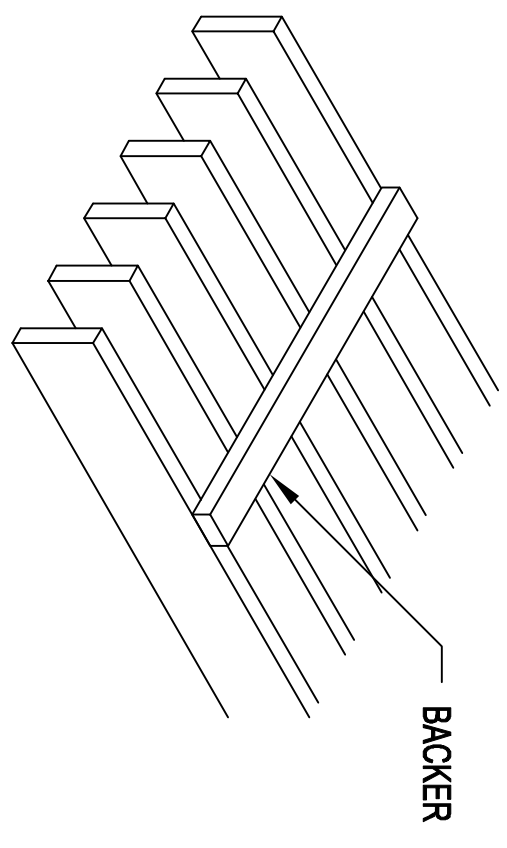
DETAIL E



DETAIL F



DETAIL G



DETAIL H

