



**POLY-COUSTIX®**  
BY SOUND SEAL

# PET I POLYESTER ACOUSTICAL PRODUCTS

## VERTEX BAFFLE®

### (Drywall/Concrete) Installation Overview

#### AIRCRAFT CABLE

These installation suggestions consist of a common process for baffle installation. Installers should rely upon their own professional experience and understanding of their unique requirements to ensure a successful install.

#### TOOLS NEEDED



Cable Cutter

#### OPTIONAL

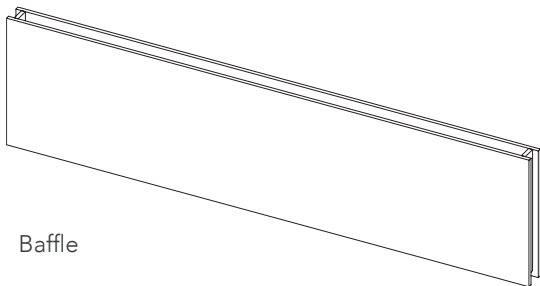


1/16" Aircraft Cable  
(3' per baffle included)

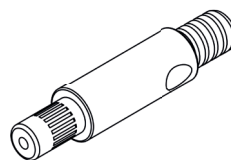
Additional length required, if any,  
will be determined by site needs

Note: Installer to select preferred ceiling hardware.

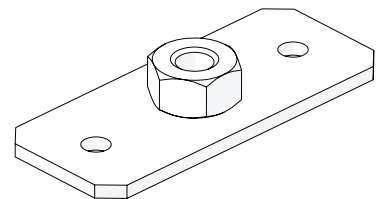
#### ITEMS INCLUDED



Baffle



(2) Grip Locks



(2) Flat Brackets



**POLY-COUSTIX®**  
BY SOUND SEAL

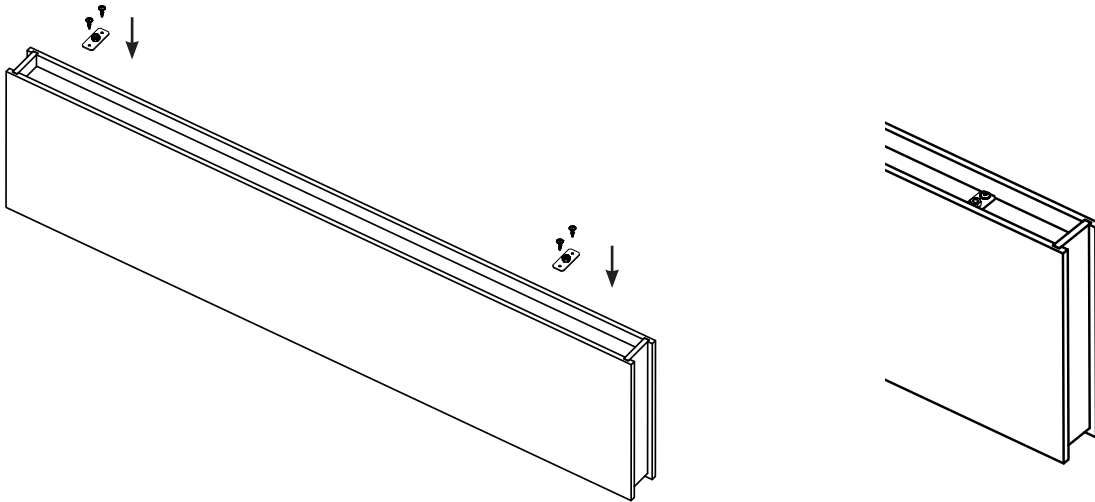
# PET | POLYESTER ACOUSTICAL PRODUCTS

## VERTEX BAFFLE®

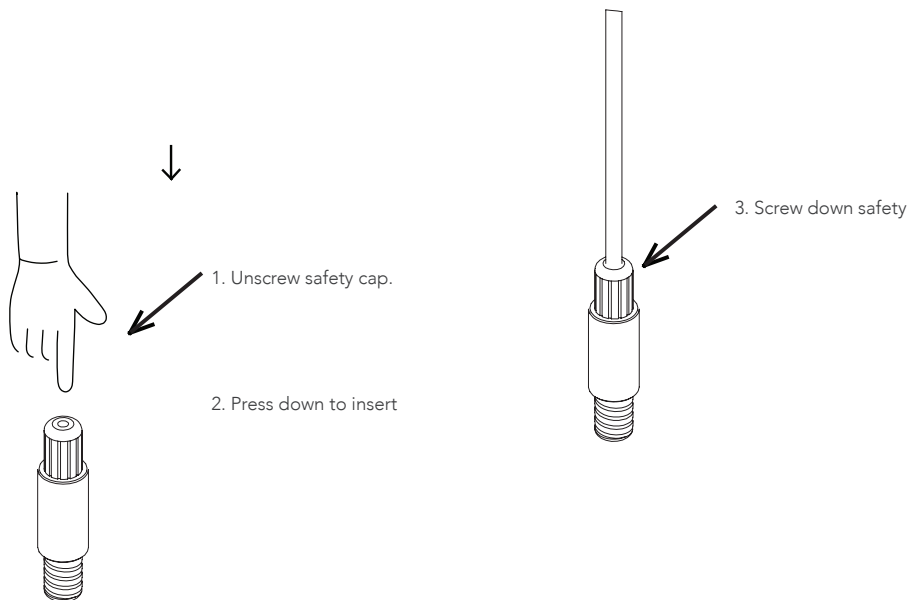
(Drywall/Concrete) Installation Overview

### AIRCRAFT CABLE

1. Locate where the flat bracket should be placed; to ensure the baffle hangs evenly, be sure to space them at equal distances from each end.



2. Insert and lock the aircraft cable into the grip lock.





POLY-COUSTIX®  
BY SOUND SEAL

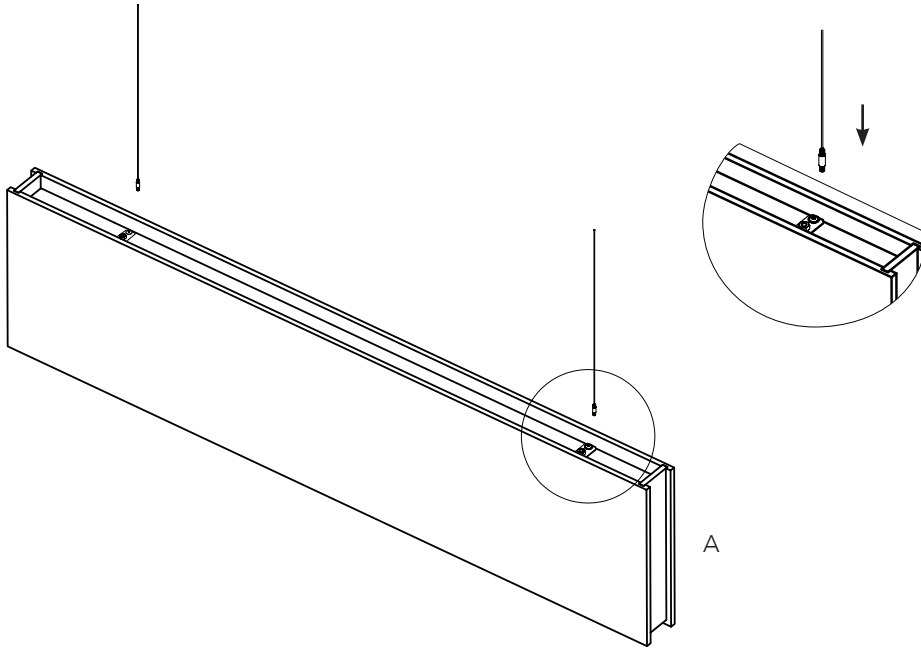
# PET | POLYESTER ACOUSTICAL PRODUCTS

## VERTEX BAFFLE®

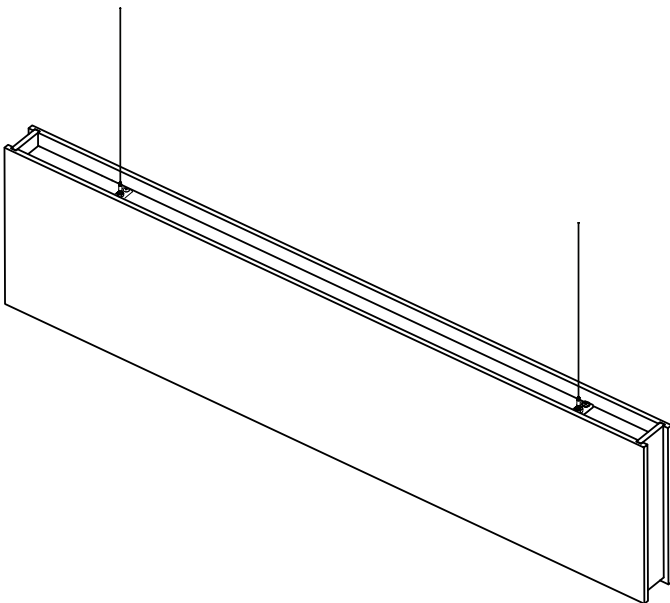
(Drywall/Concrete) Installation Overview

### AIRCRAFT CABLE

3. Screw the grip lock to the bracket on the baffle.



4. Complete installation.





# PET | POLYESTER ACOUSTICAL PRODUCTS

## VERTEX BAFFLE®

### (Drywall/Concrete) Installation Overview

#### THREADED ROD

These installation guidelines consist of the common process of adding a 1/4" (20) threaded stud for baffle installation. Installers should rely upon their own professional experience and understanding of their unique requirements to ensure a successful installation.

#### TOOLS NEEDED



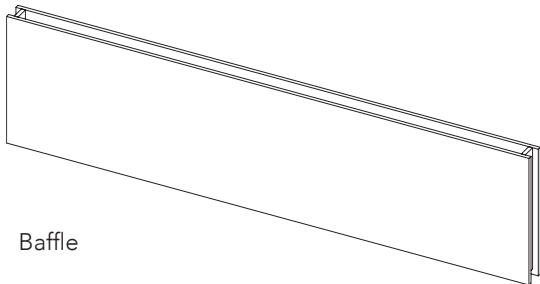
Cable Cutter

#### BY OTHERS

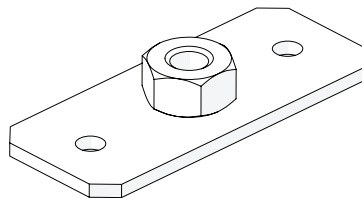


Threaded Rod 1/4-20

#### ITEMS INCLUDED



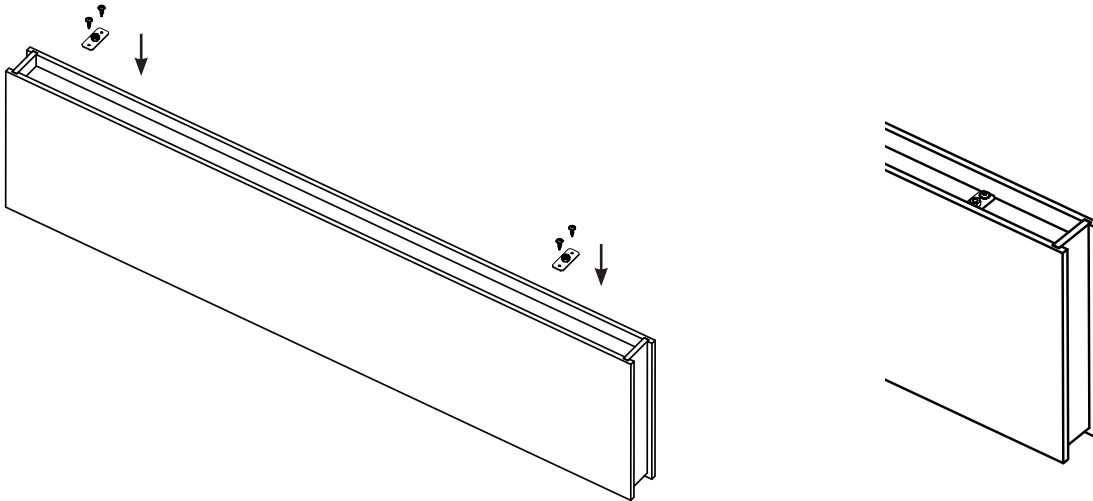
Baffle



(2) Flat Brackets

THREADED ROD

1. Locate where the flat bracket should be placed; to ensure the baffle hangs evenly, be sure to space them at equal distances from each end.



2. Install the threaded rod into the flat bracket.

